

SRS & PS Sprays®

The Ultimate in Small Area Sprinkler

Convenience and Versatility

Featuring Fixed & Adjustable Arc Nozzles, plus Bubblers

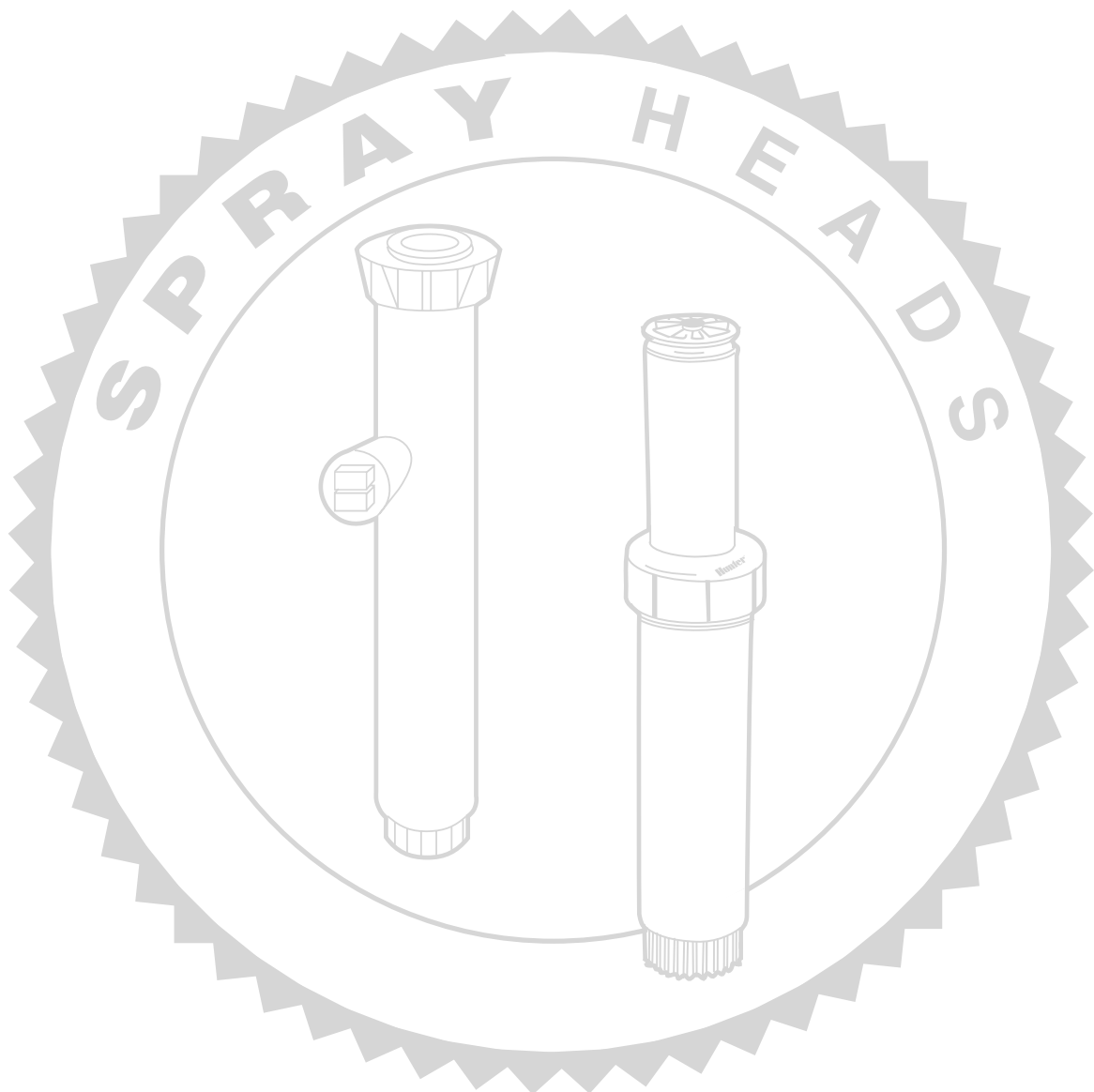


TABLE OF CONTENTS

SRS Spray Bodies

Product Overview	1
Product Features and Benefits	2
Product Comparisons.....	5
Technical Information.....	6
Specification Drawings.....	7

SRS Nozzles

Product Overview	8
Product Features and Benefits	9
Product Comparisons.....	11
Product Performance	15
Installation and Maintenance.....	15
Bubblers.....	15

PS Spray Sprinklers

Product Overview	16
Product Features and Benefits	16
Product Performance	16
Product Comparisons.....	16
Technical Information.....	16
Installation and Maintenance.....	16
Specification Drawings.....	16

PRODUCT OVERVIEW

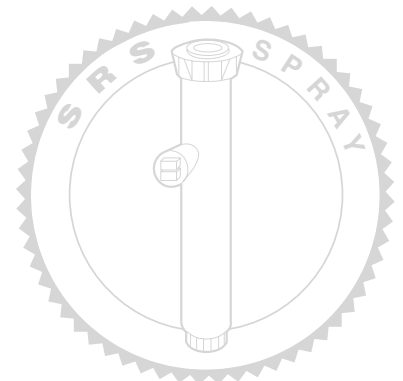
The SRS spray head is the product of choice for installers who are looking for a ruggedly designed, value-priced spray that is compatible with standard female-threaded nozzles.

And now, Hunter offers a full line of SRS sizes (2", 3", 4", 6", 12", shrub) to accommodate the various heights needed in a landscape.

You'll find the construction of the SRS is brawny and durable, made of a super tough ABS plastic that is the best type of material for spray heads due to its strength-to-weight ratio. A single buttress thread design is used with great success for fast and easy servicing. A flat body cap, with a UV resistant wiper seal that allows your system to work at maximum efficiency while delivering effective performance highlights the SRS. Some crucial features the installer will value are the side inlet on the 6" and 12" models, the easy grip flush cap, and the ratcheting riser stem.

In addition to all these great features, there's one more that helps make the SRS even better: No flow-by! Designed specifically to handle low water pressure as proficiently as high, the wiper seal's perfect fit completely eliminates wasteful leakage and flow-by, allowing your irrigation system to provide you with the most effective coverage possible.

The SRS—it's the ultimate in customer convenience for residential and commercial landscape and turf applications from a name you can trust.



PRODUCT FEATURES AND BENEFITS

Six Models to Choose From...

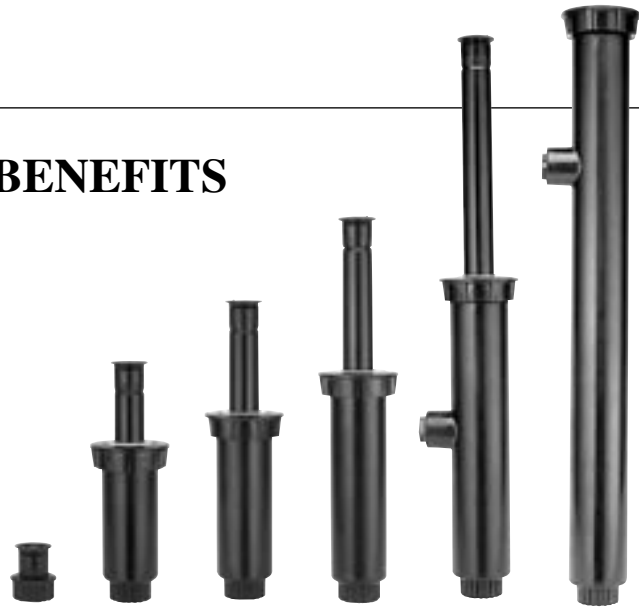
No matter what the site—total versatility

The SRS offers customer convenience in six different models, whether you're irrigating turf or tall shrubs. There are 2", 3", 4", 6", and 12" (5 cm, 7.5 cm, 10 cm, 15 cm, and 30 cm) pop-ups, and a shrub adapter for all the various conditions in today's landscapes.

Compatible With All Female Threaded Nozzles...

Accepts all major brands

The SRS has a male-threaded riser, thus allowing the use of all popular female-threaded nozzles from major brands. Now you can use a spray body that features unmatched Hunter quality with those large inventories of nozzles you're already carrying on your truck. And, with the wide variety of options available from the ability to interchange nozzles, the SRS can be equipped for such specialty uses as microsprays, bubblers, and stream sprays.



Heavy-Duty Body Construction...

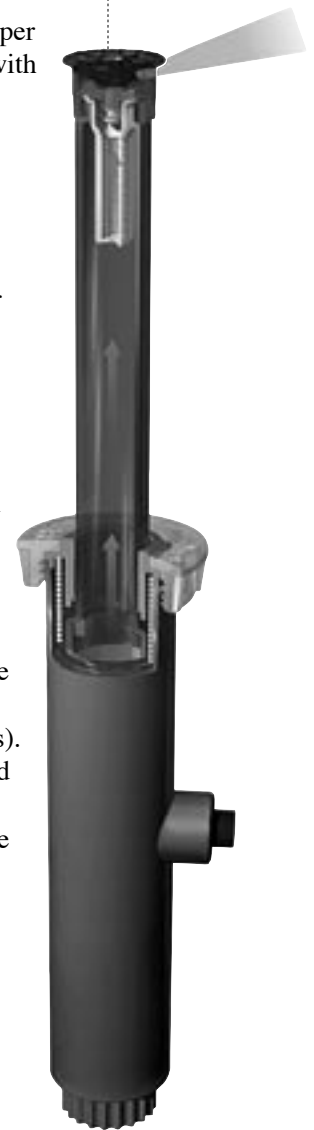
Robust design stands up to the competition

The SRS body has been designed to withstand the harshest environments. The material used to construct the bodies is super tough ABS plastic that has been molded with dimensions that furnish the high-pressure ratings given to this sprinkler. The single buttress thread used for cap to body is the thread design of choice when it comes to spray heads. This type of thread is used because of its superior strength in cap to body gripping capacity and also for easier cap removal in dirty conditions.

No Flow-By Wiper Seal...

Water efficient and long life

The SRS comes with a heavy-duty wiper pressure activated wiper seal which has been treated with UV inhibitors to insure long life when constantly exposed to the sun's rays. The surface area of the seal has been increased substantially to reduce cap to body leakage if the cap were to loosen over time (a great labor saving idea for those in the maintenance business). The SRS wiper seal can be easily removed and cleaned thus keeping the benefits of no flow-by during operation and a positive retraction, every time.



SRS Spray Bodies

Standard Side Inlet...

Installation convenience

Retrofits or new installations are easily accomplished with the convenient side inlets on the 6" (15 cm) and 12" (30 cm) models. The removable plug comes off the side and screws into the bottom inlet for quick versatility in challenging sites. (In freezing climates, you will need to install an automatic drain in the bottom inlet if the side inlet is used.)



Handy Flush Cap...

Makes flushing and nozzle installation fast and easy

Flushing lines before installing nozzles is easier than ever with the SRS flush cap. It allows the installer to activate the zone and flush any debris from the line. It directs the water away from the trench which prevents a muddy mess. Quickly remove the plug and you're ready to install our new Hunter SRS nozzle or any other female threaded nozzle.

Ratcheting Riser...

Quick arc alignment

The pop-up stem's position can be quickly and easily aligned by turning the riser assembly to "ratchet" to the correct position. This adjustment can be made while the sprinkler is operating, allowing you to see exactly where the water is going.

Reclaimed Water I.D. and Drain Check Valve...

Options for maximum efficiency

Watering with reclaimed water? Ask for the optional SRS purple body cap cover (Hunter part 349800) for quick and assured identification. The cover can easily be snapped onto SRS body caps either before or after installation. And if elevation change is a factor, the SRS drain check valve (Hunter part 462810) can be easily installed in the field and hold back up to 7' (2.1 m) of elevation change. Water savings, no matter which way you go.



PRODUCT COMPARISON

FEATURES	Hunter® SRS	Rain Bird® 1800	Rain Bird® Uni-Spray	Toro® 570Z	Nelson® PRO 6300	Hardie® HS	HIT® Proline
Exposed diameter	2" (5 cm)	2 1/4" (6 cm)	1 1/4" (4 cm)	2" (5 cm)	2" (5 cm)	1 7/8" (5 cm)	2" (5 cm)
Accepts popular female threaded nozzles	✓	✓	✓	✓	✓	✓	✓
No flow by wiper seal	✓	✓	✓	✓	✓	✓	✓
Serviceable wiper seal	✓		✓	✓	✓	✓	✓
Optional field installed drain check valve	✓		✓	✓		✓	✓
Standard side-inlet on 6" or 12"	✓	✓		✓	✓	✓	✓
Adjustable arc nozzle available	✓	✓	✓	✓	✓	✓	
Reclaimed water cap	✓	✓		✓	✓		
Flush plug attached	✓	✓	✓	✓	✓	✓	✓

SPECIFICATION GUIDE

EXAMPLE: **SRS - 04 - 10H**

MODEL	POP-UP HEIGHT	NOZZLE SERIES	PATTERN
SRS	00 = Shrub 02 = 2" Pop-up 04 = 4" Pop-up 06 = 6" Pop-up 12 = 12" Pop-up	8 = 8 Series 10 = 10 Series 12 = 12 Series 15 = 15 Series 17 = 17 Series	A = Adjustable Q = Quarter-Circle H = Half-Circle F = Full-Circle

Note: Bodies and nozzles sold separately. Also compatible with Hunter's bubbler and specialty nozzles.

TECHNICAL INFORMATION

MODELS

SRS-00 – Shrub
SRS-02 – 2" Pop-up (5 cm)
SRS-03 – 3" Pop-up (7.5 cm)
SRS-04 – 4" Pop-up (10 cm)
SRS-06 – 6" Pop-up (15 cm)
SRS-12 – 12" Pop-up (30 cm)

DIMENSIONS

- Overall height:
 - SRS-02 – 4" (10 cm)
 - SRS-03 – 4 7/8" (12.5 cm)
 - SRS-04 – 6" (15 cm)
 - SRS-06 – 8 1/2" (21.5 cm)
 - SRS-12 – 15 1/4" (39 cm)
- 1/2" female inlet NPT
- Exposed diameter: 2" (5 cm)

OPERATING SPECIFICATIONS

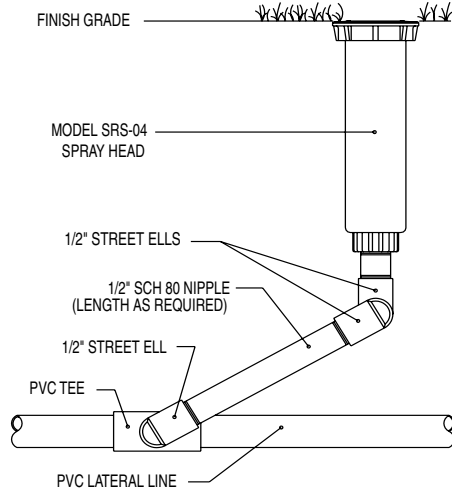
- Pressure range: 15 to 70 PSI (1.0 to 4.8 bars; 103 to 482 kPa)
- Flow-by: 0 at 10 PSI (.07 bars; 68 kPa) or greater; .1 GPM (0.02 m³/hr; 0.4 l/min) otherwise
- Precipitation rates: approximately 1.5" (38 mm) per hour

OPTIONS AVAILABLE

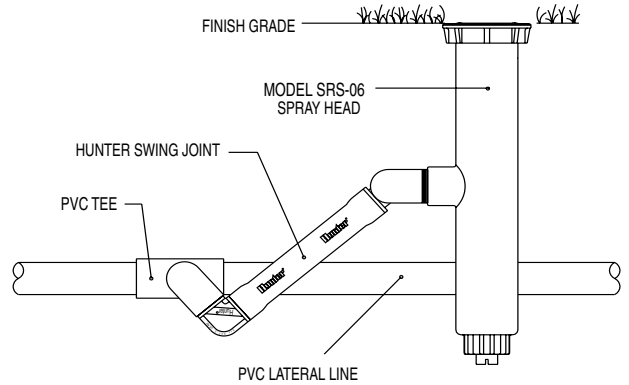
- Optional field-installed drain check valve for up to 7' (2.1 m) elevation change.
Part number 46-2810
- Optional field-installed reclaimed water identification cap.
Part number 349800

SRS Spray Sprinklers

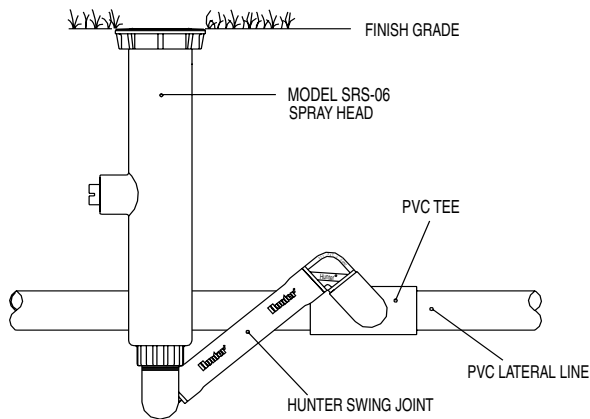
INSTALLATION DETAILS



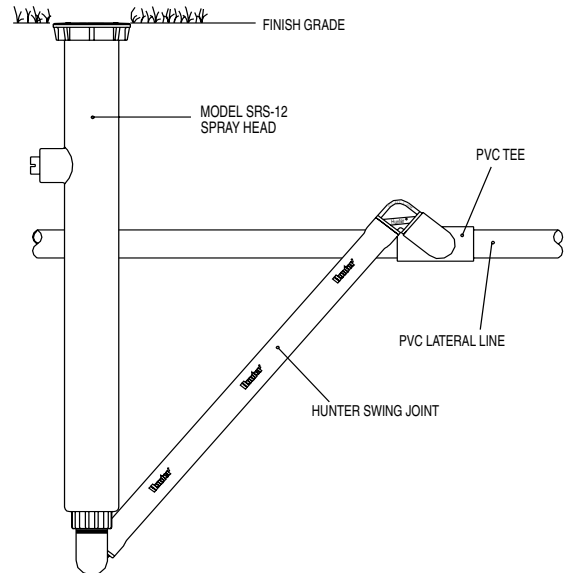
Hunter® SRS-04
SRS-04.



Hunter® SRS-06
SRS-06SI.



Hunter® SRS-06
SRS-06SJ.



Hunter® SRS-12
SRS-12SJ.

PRODUCT OVERVIEW

Compare one spray head to another and you'll find what makes the difference are the nozzles. That said, no other spray head manufacturer can lay claim to a collection of nozzles as efficient as those made by Hunter. With adjustable arc, fixed arc, side and corner strips, stream sprays, and bubblers, Hunter spray head nozzles cover all the bases. When it comes to Hunter technology, if you can't beat 'em, join 'em.

Hunter's famous patented female-thread Adjustable Arc nozzles quickly became a popular item for SRS spray head users. Now, Hunter is proud to offer another soon-to-be favorite—a collection of new female-thread Fixed Arc nozzles.

While the Adjustable Arc nozzles are fully adjustable from 25-360 degrees, the Fixed Arc nozzles are factory set at a quarter, half, or full circle pattern. As with the adjustable arc nozzles, the fixed arc nozzles are color-coded in brown, red, green, black, and gray for fast and easy identification. They are also available in radius ranges of 8', 10', 12', 15', and 17', (2.4 m, 3.0 m, 3.7 m, 4.6 m, 5.2 m) which can be reduced if needed for fine-tuning.

The clear advantage of the Adjustable Arc nozzle is that there is no need to keep an inventory of the many different odd arc nozzles seldom used on jobs.

When bubblers are selected to water plantings, Hunter has a better solution: the PCN nozzle. This nozzle is a bubbler designed to fit onto a spray body. The nozzle threads directly onto any female-thread spray head body, allowing it to pop down to ground level and it places water in an umbrella pattern like a bubbler. The result is no more unsightly risers sticking up out of the landscape. Because its ability to remain out of sight reduces vandalism and liability, the PCN is your best choice for traditional bubbler applications.

With its many body options of various pop-up heights and nozzle selections, the SRS spray line is complete providing solutions to every landscape spray head application.



PRODUCT FEATURES AND BENEFITS

Fixed Arc Nozzles...

Meets the standard

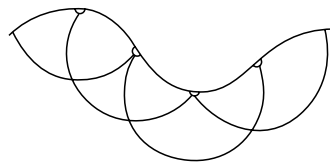
For contractors that desire fixed pattern nozzles, Hunter offers a great array of models which are color-coded for easy identification.

Adjustable Arc Nozzles...

Quick and easy; performance at its max

With an easy turn by hand, you can change the Adjustable Arc nozzles to keep the spray in the areas as designed. Fine-tuning can be made anywhere from 25° to 360°.

A particularly appealing feature of the Hunter nozzle is that no tools are required to adjust the arc.



The Adjustable Arc nozzle can be used for any area including areas that require custom odd arcs.



Strip Pattern Nozzles...

Narrow areas, no problem

To accommodate the needs of those long, narrow planting strips, we have the industry's first left and right 5' x 15' (1.5 m x 4.6 m) corner strip nozzles, as well as a 5' x 30' (1.5 m x 9.1 m) side strip nozzle. The radius of these nozzles can be adjusted down 25% without loss of an efficient pattern distribution. All three are excellent problem solvers for keeping your irrigation needs under control in tight areas.



Side Strip

Left Corner Strip

Right Corner Strip

Stream Spray Nozzles...

Customized low application rate arcs

Hunter also offers a dial-setting, adjustable arc stream spray that throws as far as 16' (4.9 m) at 25 PSI (172 kPa) combining the convenience of customized arc selection with a lower application rate. The stream spray is an outstanding nozzle to use on slopes and ground cover areas with tight soils as these applications typically require low precipitation rate nozzles.

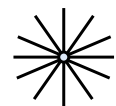
Adjusted To:



90°



180°



360°

Standard Female Threaded Design...

Compatible with the most popular brands

A variety of spray sprinkler bodies on the market today require a female threaded nozzle. Both the Fixed Arc and the Adjustable Arc nozzles meet that standard and are completely compatible with most major brands. This makes the nozzles ideal both for new installations and service of existing systems.

PRODUCT FEATURES AND BENEFITS (Continued)

Radius Ranges...

Versatile flow and throw

Whether installing Adjustable Arc or Fixed Arc nozzles, choose from an 8', 10', 12', 15', or 17' (2.4m, 3.0m, 3.7m, 4.6m, 5.2m) radius range nozzle to meet the different design applications you might need. The radius can be reduced up to 25% without changing the pattern distribution characteristics.

Filter Screen...

Large surface area

Along with every nozzle comes a large filter screen that prevents clogging from debris in the water, ensuring uniform coverage. This filter is easy to install; it drops in from the top.

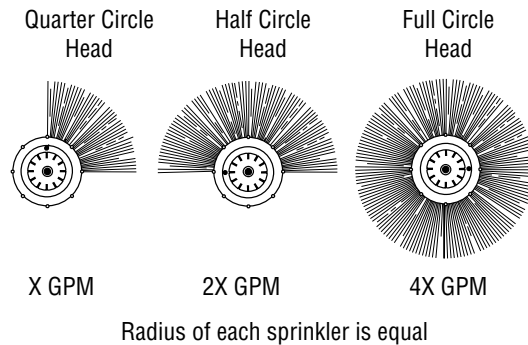


Matched Precipitation...

Even distribution of water regardless of the arc

In properly installed irrigation systems, quarter-, half-, full-, and odd arcs are designed to be used on the same zone. Hunter spray nozzles produce true matched precipitation across most popular arc and radius ranges, with even distribution of water regardless of the arc. This allows for efficient, even distribution of water throughout the entire area. Hunter's matched precipitation nozzles increase customer satisfaction by providing a greener, healthier landscape.

Matched Precipitation Rate Sprinklers



PRODUCT COMPARISONS

FEATURES - Adjustable Arc Nozzle	Hunter® ADJ	Toro® V-15	Rain-Bird® VAN
Popular Female Threaded Nozzle	✓		✓
Arc adjustable without using tools	✓		✓
Multiple Radius Ranges available	✓		✓
Matched Precipitation across radius ranges	✓		✓
Filter screen included	✓	✓	✓

FEATURES - Fixed Arc Nozzle	Hunter® Fixed Arc	Toro® Fixed Arc	Rain-Bird® MPR
Popular Female Threaded Nozzle	✓		✓
8"-18" Radius Ranges	✓	✓	✓
Color-coded for easy ID	✓	✓	✓
Filter screen included	✓	✓	✓

PRODUCT PERFORMANCE

Pro-Spray® Nozzles Performance Data																										
		8 Foot Radius Fixed (Quarter, Half, Full) Nozzle Trajectory: 0° Color Code: Brown ● 8					10 Foot Radius Fixed (Quarter, Half, Full) Nozzle Trajectory: 15° Color Code: Red ● 10					12 Foot Radius Fixed (Quarter, Half, Full) Nozzle Trajectory: 28° Color Code: Green ● 12					15 Foot Radius Fixed (Quarter, Half, Full) Nozzle Trajectory: 28° Color Code: Black ● 15					17 Foot Radius Fixed (Quarter) Nozzle Trajectory: 28° Color Code: Gray ● 17				
Arc	Pressure PSI	Pattern	Radius ft.	Flow GPM	Precip in/hr	Radius ft.	Flow GPM	Precip in/hr	Radius ft.	Flow GPM	Precip in/hr	Radius ft.	Flow GPM	Precip in/hr	Radius ft.	Flow GPM	Precip in/hr									
90°	20	Q	7'	0.17	1.34 1.54	9'	0.30	1.43 1.65	11'	0.50	1.59 1.84	14'	0.77	1.51 1.75	16'	0.97	1.46 1.68									
	25		8'	0.19	1.14 1.32	10'	0.33	1.27 1.47	12'	0.55	1.47 1.70	15'	0.86	1.47 1.70	17'	1.13	1.51 1.74									
	30		8'	0.24	1.44 1.67	10'	0.39	1.50 1.73	12'	0.63	1.68 1.95	15'	0.93	1.59 1.84	17'	1.20	1.60 1.85									
	35		9'	0.33	1.57 1.81	11'	0.49	1.56 1.80	13'	0.73	1.66 1.92	16'	1.03	1.55 1.79	18'	1.25	1.49 1.72									
180°	20	H	7'	0.34	1.34 1.54	9'	0.60	1.43 1.65	11'	1.00	1.59 1.84	14'	1.54	1.51 1.75	16'	1.94	1.46 1.68									
	25		8'	0.38	1.14 1.32	10'	0.66	1.27 1.47	12'	1.10	1.47 1.70	15'	1.72	1.47 1.70	17'	2.26	1.51 1.74									
	30		8'	0.48	1.44 1.67	10'	0.82	1.58 1.82	12'	1.31	1.75 2.02	15'	1.86	1.59 1.84	17'	2.40	1.60 1.85									
	35		9'	0.66	1.57 1.81	11'	0.98	1.56 1.80	13'	1.46	1.66 1.92	16'	2.06	1.55 1.79	18'	2.50	1.49 1.72									
360°	20	F	7'	0.68	1.34 1.54	9'	1.20	1.43 1.65	11'	2.00	1.59 1.84	14'	3.08	1.51 1.75												
	25		8'	0.76	1.14 1.32	10'	1.32	1.27 1.47	12'	2.20	1.47 1.70	15'	3.44	1.47 1.70												
	30		8'	0.95	1.43 1.65	10'	1.62	1.56 1.80	12'	2.65	1.77 2.05	15'	3.72	1.59 1.84												
	35		9'	1.32	1.57 1.81	11'	1.96	1.56 1.80	13'	2.92	1.66 1.92	16'	4.12	1.55 1.79												
40	10'	1.92	1.85 2.13	12'	2.52	1.68 1.95	14'	3.36	1.65 1.91	17'	4.54	1.51 1.74														

Note: The Institutional Spray's built-in pressure regulation controls output to a maximum of 30 PSI. All precipitation rates calculated for 360 degree operation.

Pro-Spray® Nozzles Performance Data – Metric																										
		2.4 Meter Radius (8 ft.) Fixed (Quarter, Half, Full) Nozzle Trajectory: 0° Color Code: Brown ● 8					3.0 Meter Radius (10 ft.) Fixed (Quarter, Half, Full) Nozzle Trajectory: 15° Color Code: Red ● 10					3.7 Meter Radius (12 ft.) Fixed (Quarter, Half, Full) Nozzle Trajectory: 28° Color Code: Green ● 12					4.6 Meter Radius (15 ft.) Fixed (Quarter, Half, Full) Nozzle Trajectory: 28° Color Code: Black ● 15					5.2 Meter Radius (17 ft.) Fixed (Quarter) Nozzle Trajectory: 28° Color Code: Gray ● 17				
Arc	Pressure Bars kPa	Pattern	Radius m	Flow m³/hr l/min	Precip mm/hr	Radius m	Flow m³/hr l/min	Precip mm/hr	Radius m	Flow m³/hr l/min	Precip mm/hr	Radius m	Flow m³/hr l/min	Precip mm/hr	Radius m	Flow m³/hr l/min	Precip mm/hr	Radius m	Flow m³/hr l/min	Precip mm/hr						
90°	1.4 137	Q	2.1	0.04 0.6	34 39	2.7	0.07 1.1	36 42	3.4	0.11 1.9	40 47	4.2	0.17 2.9	38 44	4.9	0.22 3.7	37 43									
	1.7 171		2.4	0.04 0.7	29 34	3.0	0.07 1.3	37 44	3.7	0.12 2.1	37 43	4.5	0.20 3.3	37 43	5.2	0.26 4.3	38 44									
	2.1 206		2.4	0.05	0.9 37 42	3.0	0.09	1.5 44 55	3.7	0.14	2.4 43 49	4.5	0.21	3.5 40 47	5.2	0.27	4.5 41 47									
	2.4 240		2.7	0.07 1.3	40 46	3.3	0.11 1.9	46 48	4.0	0.17 2.8	42 49	4.8	0.23 3.9	39 45	5.5	0.28 4.7	38 44									
180°	1.4 137	H	2.1	0.08 1.3	34 39	2.7	0.14 2.3	42 47	3.4	0.23 3.8	40 47	4.2	0.35 5.8	38 44	4.9	0.44 7.3	37 43									
	1.7 171		2.4	0.09 1.4	29 34	3.0	0.15 2.5	37 44	3.7	0.25 4.2	37 43	4.5	0.39 6.5	37 43	5.2	0.51 8.6	38 44									
	2.1 206		2.4	0.11	1.8 37 42	3.0	0.19	3.1 46 55	3.7	0.30	5.0 44 51	4.5	0.42	7.0 40 47	5.2	0.54	9.1 41 47									
	2.4 240		2.7	0.15 2.5	30 46	3.3	0.22 3.7	46 48	4.0	0.33 5.5	42 49	4.8	0.47 7.8	39 45	5.5	0.57 9.5	38 44									
360°	1.4 137	F	2.1	0.15 2.6	34 39	2.7	0.27 4.5	42 47	3.4	0.45 7.6	40 47	4.2	0.70 11.7	38 44	4.9	0.88 14.7	37 43									
	1.7 171		2.4	0.17 2.9	29 34	3.0	0.30 5.0	37 44	3.7	0.50 8.3	37 43	4.5	0.78 13.0	37 43	5.2	1.03 17.1	38 44									
	2.1 206		2.4	0.22	3.6 36 42	3.0	0.37	6.1 46 55	3.7	0.60	10.0 45 52	4.5	0.84	14.1 40 47	5.2	1.09	18.2 41 47									
	2.4 240		2.7	0.30 5.0	40 46	3.3	0.44 7.4	46 48	4.0	0.66 11.1	42 49	4.8	0.94 15.6	39 45	5.5	1.14 18.9	38 44									
2.7 274	3.0	0.44 7.3	47 54	3.6	0.57 9.5	49 57	4.3	0.76 12.7	42 48	5.2	1.03 17.1	38 44	5.8	1.25 20.9	37 43											

Note: The Institutional Spray's built-in pressure regulation controls output to a maximum of 2.1 Bars (206 kPa).

PRODUCT PERFORMANCE

Adjustable Arc Nozzles Performance Data																					
Arc	Pressure PSI	8 Foot Radius Adjustable from 25° to 360° Nozzle Trajectory: 0° Color Code: Brown ● 8A				10 Foot Radius Adjustable from 25° to 360° Nozzle Trajectory: 15° Color Code: Red ● 10A				12 Foot Radius Adjustable from 25° to 360° Nozzle Trajectory: 28° Color Code: Green ● 12A				15 Foot Radius Adjustable from 25° to 360° Nozzle Trajectory: 28° Color Code: Black ● 15A				17 Foot Radius Adjustable from 25° to 360° Nozzle Trajectory: 28° Color Code: Gray ● 17A			
		Radius ft.	Flow GPM	Precip in/hr	Precip in/hr	Radius ft.	Flow GPM	Precip in/hr	Precip in/hr	Radius ft.	Flow GPM	Precip in/hr	Precip in/hr	Radius ft.	Flow GPM	Precip in/hr	Precip in/hr	Radius ft.	Flow GPM	Precip in/hr	Precip in/hr
45°	20	7'	0.17	2.67	3.08	9'	0.17	1.62	1.87	11'	0.25	1.59	1.84	14'	0.39	1.51	1.75	16'	0.49	1.46	1.68
	25	8'	0.20	2.35	2.71	10'	0.20	1.50	1.73	12'	0.28	1.47	1.70	15'	0.43	1.47	1.70	17'	0.57	1.51	1.74
	30	8'	0.25	2.95	3.40	10'	0.25	1.89	2.18	12'	0.32	1.68	1.95	15'	0.47	1.59	1.84	17'	0.60	1.60	1.85
	35	9'	0.26	2.42	2.80	11'	0.26	1.62	1.87	13'	0.37	1.66	1.92	16'	0.52	1.55	1.79	18'	0.63	1.49	1.72
90°	20	7'	0.34	2.67	3.08	9'	0.34	1.62	1.87	11'	0.50	1.59	1.84	14'	0.77	1.51	1.75	16'	0.97	1.46	1.68
	25	8'	0.39	2.35	2.71	10'	0.39	1.50	1.73	12'	0.55	1.47	1.70	15'	0.86	1.47	1.70	17'	1.13	1.51	1.74
	30	8'	0.49	2.95	3.40	10'	0.49	1.89	2.18	12'	0.63	1.68	1.95	15'	0.93	1.59	1.84	17'	1.20	1.60	1.85
	35	9'	0.51	2.42	2.80	11'	0.51	1.62	1.87	13'	0.73	1.66	1.92	16'	1.03	1.55	1.79	18'	1.25	1.49	1.72
120°	20	7'	0.45	2.67	3.08	9'	0.45	1.62	1.87	11'	0.67	1.59	1.84	14'	1.03	1.51	1.75	16'	1.29	1.46	1.68
	25	8'	0.52	2.35	2.71	10'	0.52	1.50	1.73	12'	0.73	1.47	1.70	15'	1.15	1.47	1.70	17'	1.51	1.51	1.74
	30	8'	0.65	2.95	3.40	10'	0.65	1.89	2.18	12'	0.84	1.68	1.95	15'	1.24	1.59	1.84	17'	1.60	1.60	1.85
	35	9'	0.68	2.42	2.80	11'	0.68	1.62	1.87	13'	0.97	1.66	1.92	16'	1.37	1.55	1.79	18'	1.67	1.49	1.72
180°	20	7'	0.68	2.67	3.08	9'	0.68	1.62	1.87	11'	1.00	1.59	1.84	14'	1.54	1.51	1.75	16'	1.94	1.46	1.68
	25	8'	0.78	2.35	2.71	10'	0.78	1.50	1.73	12'	1.10	1.47	1.70	15'	1.72	1.47	1.70	17'	2.26	1.51	1.74
	30	8'	0.98	2.95	3.40	10'	0.98	1.89	2.18	12'	1.26	1.68	1.95	15'	1.86	1.59	1.84	17'	2.40	1.60	1.85
	35	9'	1.02	2.42	2.80	11'	1.02	1.62	1.87	13'	1.46	1.66	1.92	16'	2.06	1.55	1.79	18'	2.50	1.49	1.72
240°	20	7'	0.91	2.67	3.08	9'	0.91	1.62	1.87	11'	1.33	1.59	1.84	14'	2.05	1.51	1.75	16'	2.59	1.46	1.68
	25	8'	1.04	2.35	2.71	10'	1.04	1.50	1.73	12'	1.47	1.47	1.70	15'	2.29	1.47	1.70	17'	3.01	1.51	1.74
	30	8'	1.31	2.95	3.40	10'	1.31	1.89	2.18	12'	1.68	1.68	1.95	15'	2.48	1.59	1.84	17'	3.20	1.60	1.85
	35	9'	1.36	2.42	2.80	11'	1.36	1.62	1.87	13'	1.95	1.66	1.92	16'	2.75	1.55	1.79	18'	3.33	1.49	1.72
270°	20	7'	1.02	2.67	3.08	9'	1.02	1.62	1.87	11'	1.50	1.59	1.84	14'	2.31	1.51	1.75	16'	2.91	1.46	1.68
	25	8'	1.17	2.35	2.71	10'	1.17	1.50	1.73	12'	1.65	1.47	1.70	15'	2.58	1.47	1.70	17'	3.39	1.51	1.74
	30	8'	1.47	2.95	3.40	10'	1.47	1.89	2.18	12'	1.89	1.68	1.95	15'	2.79	1.59	1.84	17'	3.60	1.60	1.85
	35	9'	1.53	2.42	2.80	11'	1.53	1.62	1.87	13'	2.19	1.66	1.92	16'	3.09	1.55	1.79	18'	3.75	1.49	1.72
360°	20	7'	1.36	2.67	3.08	9'	1.36	1.62	1.87	11'	2.00	1.59	1.84	14'	3.08	1.51	1.75	16'	3.88	1.46	1.68
	25	8'	1.56	2.35	2.71	10'	1.56	1.50	1.73	12'	2.20	1.47	1.70	15'	3.44	1.47	1.70	17'	4.52	1.51	1.74
	30	8'	1.96	2.95	3.40	10'	1.96	1.89	2.18	12'	2.52	1.68	1.95	15'	3.72	1.59	1.84	17'	4.80	1.60	1.85
	35	9'	2.04	2.42	2.80	11'	2.04	1.62	1.87	13'	2.92	1.66	1.92	16'	4.12	1.55	1.79	18'	5.00	1.49	1.72
40	10'	2.92	2.81	3.25	12'	2.92	1.95	2.25	14'	3.36	1.65	1.91	17'	4.52	1.51	1.74	19'	5.52	1.47	1.70	

Note: The Institutional Spray's built-in pressure regulation controls output to a maximum of 30 PSI.

Strip Pattern Nozzle Performance Data				
Color Code: Blue ●				
Nozzle Model	Pressure PSI	Width x Length	Flow GPM	Precip in/hr
LCS-515 Left-Corner Strip	20	4' x 14'	0.55	0.95
	25	5' x 15'	0.60	0.77
	30	5' x 15'	0.65	0.83
	35	5' x 15'	0.70	0.90
RCS-515 Right-Corner Strip	20	4' x 14'	0.55	0.95
	25	5' x 15'	0.60	0.77
	30	5' x 15'	0.65	0.83
	35	5' x 15'	0.70	0.90
SS-530 Side Strip	20	4' x 28'	1.10	0.95
	25	5' x 30'	1.20	0.77
	30	5' x 30'	1.30	0.83
	35	5' x 30'	1.40	0.90
40	5' x 30'	1.50	0.96	

Model S-16A Stream Spray Nozzle Performance Data					
Adjustable from 25° to 360°					
Color Code: Blue ●					
Arc	Pressure PSI	Radius ft.	Flow GPM	Precip in/hr	
90°	20	15	0.40	0.68	0.79
	25	16	0.46	0.69	0.80
	30	16	0.50	0.75	0.87
	35	17	0.54	0.72	0.83
180°	20	15	0.67	0.57	0.66
	25	16	0.80	0.60	0.69
	30	16	0.88	0.66	0.76
	35	17	0.97	0.65	0.75
360°	20	15	1.19	0.51	0.59
	25	16	1.46	0.55	0.63
	30	16	1.66	0.62	0.72
	35	17	1.82	0.61	0.70
40	18	1.99	0.59	0.68	

Spray Nozzles

Adjustable Arc Nozzles Performance Data – Metric

Arc	Pressure Bars kPa	2.4 Meter Radius (8 ft.) Adjustable from 25° to 360° Nozzle Trajectory: 0° Color Code: Brown ● 8A				3.0 Meter Radius (10 ft.) Adjustable from 25° to 360° Nozzle Trajectory: 15° Color Code: Red ● 10A				3.7 Meter Radius (12 ft.) Adjustable from 25° to 360° Nozzle Trajectory: 28° Color Code: Green ● 12A				4.6 Meter Radius (15 ft.) Adjustable from 25° to 360° Nozzle Trajectory: 28° Color Code: Black ● 15A				5.2 Meter Radius (17 ft.) Adjustable from 25° to 360° Nozzle Trajectory: 28° Color Code: Gray ● 17A									
		Radius m	Flow m³/hr	Flow l/min	Precip mm/hr	Radius m	Flow m³/hr	Flow l/min	Precip mm/hr	Radius m	Flow m³/hr	Flow l/min	Precip mm/hr	Radius m	Flow m³/hr	Flow l/min	Precip mm/hr	Radius m	Flow m³/hr	Flow l/min	Precip mm/hr						
45°	1.4	137	2.1	0.04	0.6	68	78	2.7	0.04	0.6	41	47	3.4	0.06	0.9	40	47	4.2	0.09	1.5	38	44	4.8	0.11	1.8	37	43
	1.7	171	2.4	0.04	0.7	60	69	3.0	0.04	0.7	44	44	3.7	0.06	1.0	37	43	4.5	0.10	1.6	37	43	5.2	0.13	2.1	38	44
	2.1	206	2.4	0.06	0.9	75	86	3.0	0.06	0.9	55	55	3.7	0.07	1.2	43	49	4.5	0.11	1.8	40	47	5.2	0.14	2.3	41	47
	2.4	240	2.7	0.06	1.0	62	71	3.3	0.06	1.0	48	48	4.0	0.08	1.4	42	49	4.8	0.12	1.9	39	45	5.5	0.14	2.4	38	44
90°	1.4	137	3.0	0.08	1.3	68	78	3.6	0.08	1.4	57	57	4.3	0.10	1.6	42	48	5.2	0.13	2.1	38	44	5.8	0.16	2.6	37	43
	1.7	171	2.4	0.09	1.5	60	69	3.0	0.09	1.5	44	44	3.7	0.12	2.1	37	43	4.5	0.20	3.3	37	43	5.2	0.26	4.3	38	44
	2.1	206	2.4	0.11	1.9	75	86	3.0	0.11	1.9	55	55	3.7	0.14	2.4	43	49	4.5	0.21	3.5	40	47	5.2	0.27	4.5	41	47
	2.4	240	2.7	0.12	1.9	62	71	3.3	0.12	1.9	48	48	4.0	0.17	2.8	42	49	4.8	0.23	3.9	39	45	5.5	0.28	4.7	38	44
120°	1.4	137	3.0	0.10	1.7	68	78	3.6	0.10	1.7	47	47	4.3	0.19	3.2	42	48	5.2	0.26	4.3	38	44	5.8	0.31	5.2	37	43
	1.7	171	2.4	0.12	2.0	60	69	3.0	0.12	2.0	44	44	3.7	0.17	2.8	37	43	4.5	0.26	4.3	37	43	5.2	0.34	5.7	38	44
	2.1	206	2.4	0.15	2.5	75	86	3.0	0.15	2.5	55	55	3.7	0.19	3.2	43	49	4.5	0.28	4.7	40	47	5.2	0.36	6.1	41	47
	2.4	240	2.7	0.15	2.6	62	71	3.3	0.15	2.6	48	48	4.0	0.22	3.7	42	49	4.8	0.31	5.2	39	45	5.5	0.38	6.3	38	44
180°	1.4	137	2.1	0.15	2.6	68	78	2.7	0.15	2.6	47	47	3.4	0.23	3.8	40	47	4.2	0.35	5.8	38	44	4.8	0.44	7.3	37	43
	1.7	171	2.4	0.18	3.0	60	69	3.0	0.18	3.0	44	44	3.7	0.25	4.2	37	43	4.5	0.39	6.5	37	43	5.2	0.51	8.6	38	44
	2.1	206	2.4	0.22	3.7	75	86	3.0	0.22	3.7	55	55	3.7	0.29	4.8	43	49	4.5	0.42	7.0	40	47	5.2	0.54	9.1	41	47
	2.4	240	2.7	0.23	3.9	62	71	3.3	0.23	3.9	48	48	4.0	0.33	5.5	42	49	4.8	0.47	7.8	39	45	5.5	0.57	9.5	38	44
240°	1.4	137	2.1	0.21	3.4	68	78	2.7	0.21	3.4	47	47	3.4	0.30	5.0	40	47	4.2	0.47	7.8	38	44	4.8	0.59	9.8	37	43
	1.7	171	2.4	0.24	3.9	60	69	3.0	0.24	3.9	44	44	3.7	0.33	5.6	37	43	4.5	0.52	8.7	37	43	5.2	0.68	11.4	38	44
	2.1	206	2.4	0.30	4.9	75	86	3.0	0.30	4.9	55	55	3.7	0.38	6.4	43	49	4.5	0.56	9.4	40	47	5.2	0.73	12.1	41	47
	2.4	240	2.7	0.31	5.1	62	71	3.3	0.31	5.1	48	48	4.0	0.44	7.4	42	49	4.8	0.62	10.4	39	45	5.5	0.76	12.6	38	44
270°	1.4	137	2.1	0.23	3.9	68	78	2.7	0.23	3.9	47	47	3.4	0.34	5.7	40	47	4.2	0.52	8.7	38	44	4.8	0.66	11.0	37	43
	1.7	171	2.4	0.27	4.4	60	69	3.0	0.27	4.4	44	44	3.7	0.37	6.2	37	43	4.5	0.59	9.8	37	43	5.2	0.77	12.8	38	44
	2.1	206	2.4	0.33	5.6	75	86	3.0	0.33	5.6	55	55	3.7	0.43	7.2	43	49	4.5	0.63	10.6	40	47	5.2	0.82	13.6	41	47
	2.4	240	2.7	0.35	5.8	62	71	3.3	0.35	5.8	48	48	4.0	0.50	8.3	42	49	4.8	0.70	11.7	39	45	5.5	0.85	14.2	38	44
360°	1.4	137	2.1	0.31	5.1	68	78	2.7	0.31	5.1	47	47	3.4	0.45	7.6	40	47	4.2	0.70	11.7	38	44	4.8	0.88	14.7	37	43
	1.7	171	2.4	0.35	5.9	60	69	3.0	0.35	5.9	44	44	3.7	0.50	8.3	37	43	4.5	0.78	13.0	37	43	5.2	1.03	17.1	38	44
	2.1	206	2.4	0.44	7.4	75	86	3.0	0.44	7.4	55	55	3.7	0.57	9.5	43	49	4.5	0.84	14.1	40	47	5.2	1.09	18.2	41	47
	2.4	240	2.7	0.46	7.7	62	71	3.3	0.46	7.7	48	48	4.0	0.66	11.1	42	49	4.8	0.94	15.6	39	45	5.5	1.14	18.9	38	44
2.7	274	3.0	0.66	11.1	71	82	3.6	0.66	11.1	57	57	4.3	0.76	12.7	42	48	5.2	1.03	17.1	38	44	5.8	1.25	20.9	37	43	

Note: The Institutional Spray's built-in pressure regulation controls output to a maximum of 2.1 Bars (206 kPa).

Strip Pattern Nozzle Performance Data – Metric

Color Code: Blue ●		Pressure		Width x Length		Flow		Precip	
Nozzle Model	Bars	kPa	m	m	m³/hr	l/min	mm/hr	mm/hr	mm/hr
LCS-515 Left-Corner Strip	1.4	137	1.2 m x 4.3 m	0.12	2.1	24			
	1.7	172	1.5 m x 4.6 m	0.14	2.3	20			
	2.1	206	1.5 m x 4.6 m	0.15	2.5	21			
RCS-515 Right-Corner Strip	2.4	241	1.5 m x 4.6 m	0.16	2.6	23			
	2.8	275	1.5 m x 4.6 m	0.17	2.8	24			
	1.4	137	1.2 m x 4.3 m	0.12	2.1	24			
SS-530 Side Strip	1.7	172	1.5 m x 9.1 m	0.27	4.5	20			
	2.1	206	1.5 m x 9.1 m	0.30	4.9	21			
	2.4	241	1.5 m x 9.1 m	0.32	5.3	23			
2.8	275	1.5 m x 9.1 m	0.34	5.7	24				

Model S-16A Stream Spray Nozzle Performance Data – Metric

Adjustable from 25° to 360°		Color Code: Blue ●		Pressure		Radius		Flow		Precip	
Arc	Bars	kPa	m	m³/hr	l/min	mm/hr	mm/hr	mm/hr	mm/hr	mm/hr	mm/hr
90°	1.4	138	4.6	0.09	1.5	17	20				
	1.7	172	4.9	0.10	1.7	18	20				
	2.1	207	4.9	0.11	1.9	19	22				
	2.4	241	5.2	0.12	2.0	18	21				
180°	2.8	276	5.5	0.13	2.2	17	20				
	1.4	138	4.6	0.15	2.5	15	17				
	1.7	172	4.9	0.18	3.0	15	18				
	2.1	207	4.9	0.20	3.3	17	19				
360°	2.4	241	5.2	0.21	3.7	16	19				
	2.8	276	5.5	0.24	3.9	16	18				
	1.4	138	4.6	0.27	4.5	13	15				
	1.7	172	4.9	0.33	5.5	14	16				
2.1	207	4.9	0.38	6.3	16	18					
2.4	241	5.2	0.41	6.9	15	18					
2.8	276	5.5	0.45	7.5	15	17					

INSTALLATION AND MAINTENANCE

SPECIFICATION GUIDE

EXAMPLE: **SRS - 04 - 10H**

MODEL SRS	POP-UP HEIGHT	NOZZLE SERIES	PATTERN
00	= Shrub	8 = 8 Series	A = Adjustable
02	= 2" Pop-up	10 = 10 Series	Q = Quarter-Circle
04	= 4" Pop-up	12 = 12 Series	H = Half-Circle
06	= 6" Pop-up	15 = 15 Series	F = Full-Circle
12	= 12" Pop-up	17 = 17 Series	

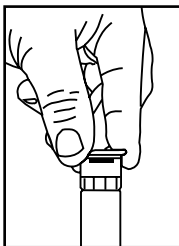
Note: Bodies and nozzles sold separately. Also compatible with Hunter's bubbler and specialty nozzles.

Installation Instructions

1. Install sprinklers onto lateral lines.
2. Flush lines, making sure the flush caps are directed away from trench.
3. Install screen into riser opening and screw female-threaded nozzle onto riser.
4. Adjust arc and radius for each sprinkler as described below.

Arc Adjustment on Nozzles

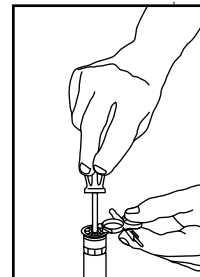
The Hunter Adjustable Arc nozzles come from the factory with a preset arc of 25°. Before setting the left side of the arc, first set the right ratcheting side by twisting the riser assembly inside of the sprinkler body, aligning the right side of the spray pattern into the proper area. The raised dot on top of the nozzle indicates the adjustable (left) edge of the spray pattern. Hold the perimeter of the nozzle with fingers and turn the nozzle counter-clockwise to increase the arc. To decrease the arc, hold the perimeter of the nozzle with fingers and turn the nozzle clockwise, decreasing the arc. The arc can also be increased or decreased by using a flat bladed screwdriver.



Radius Adjustment

Hold the nozzle arc stationary with fingers, or with two pins on the side of the Hunter wrench between any of the nozzle spokes. Then, adjust the radius with a flat-bladed screwdriver by turning the center screw clockwise.

The radius should not be reduced more than 25%. The nozzles are preset at the factory for maximum radius.



Bubbler Nozzles

PCN Bubbler Nozzle...

Out of sight flood watering

Hunter has developed the ultimate in deep watering technology with the PCN Bubbler Nozzle. This nozzle is specially designed to screw on to the SRS spray head and most other female threaded spray head bodies on the market today. This means you get all the advantages of traditional flood bubbler watering with a product that retracts into the ground when not in use. Using the PCN Bubbler you will find that the maintenance hassles of other deep watering methods, such as drip, are eliminated. It's the most tamper-proof, eye-appealing method of deep watering available today. With four flow rates to choose from (.25, .50, 1.0, 2.0 GPM; .9, 1.9, 3.8, 7.6 l/min) the PCN can be used in many different soil types with little concern of runoff.



PCN Nozzle & PCB Performance Data

Model	Pressure PSI	Flow GPM	Pattern Type
25	30	0.25	Trickle
50	30	0.50	Trickle
10	30	1.00	Umbrella
20	30	2.00	Umbrella

Note: Typical spacing 1 to 3 ft.

SPECIFICATION GUIDE

EXAMPLE: **PCB - 25 - R**

MODELS	FLOW	OPTIONS
PCB = ½" FIPT PCN = Standard Female Nozzle Thread	25 = .25 GPM 50 = .50 GPM 10 = 1.0 GPM 20 = 2.0 GPM	R = Reclaimed Water
AFB = ½" FIPT	Adjustable Flow	

PCB Bubbler...

No need to guess with specific flow rates

For trees and shrubs that are off the beaten path, and for out of the way places, PCB is your low cost deep watering option. The PCB installs quickly and easily to any ½ inch NPT threaded riser or adapter. And, with our line-up of four different PCB models, that means you can select precisely the one you need to meet each of your individual plant's watering requirements. Choose from flow rates of either .25, .50, 1.0 or 2.0 GPM (.9, 1.9, 3.8, 7.6 l/min) to eliminate guesswork and guarantee that all your greenery gets exactly the water it needs.

Choose the AFB model which pressure compensates to a 2.0 GPM (7.6 l/min) flow and can be fine-tuned with a stainless steel screw adjustment.



PCN Nozzle & PCB Performance Data - Metric

Model	Pressure Bars	Pressure kPa	Flow m³/hr	Flow l/min	Pattern Type
25	2.1	206	0.06	0.9	Trickle
50	2.1	206	0.11	1.9	Trickle
10	2.1	206	0.23	3.8	Pattern
20	2.1	206	0.45	7.6	Pattern

Note: Typical spacing 0.3 to 0.9 m.

Multi-Stream Bubbler Performance Data

Arc	Model	Pressure PSI	Flow GPM	Radius ft.
	MSBN-25Q	30	0.25	1.0
	MSBN-50Q	30	0.50	1.5
	MSBN-50H	30	0.50	1.0
	MSBN-10H	30	1.00	1.5
	MSBN-10F	30	1.00	1.0
	MSBN-20F	30	2.00	1.5

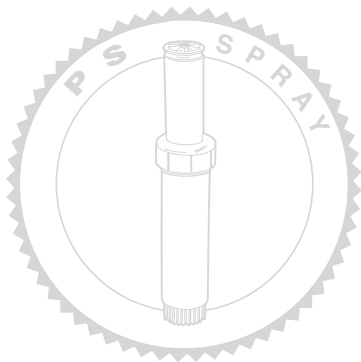
Note: Typical spacing 2 to 4 ft.

PRODUCT OVERVIEW

If fast installation is a factor and efficiency is a must, the PS spray sprinkler is the answer for customers who need a quality, professional solution for small irrigated areas. With efficient water distribution from truly proficient nozzles, the PS offers fast installation and set-up because of the built-in Adjustable Arc nozzle (that means no nozzle to install, no parts to lose). Each nozzle has adjustable radius and discharge rates for precise fitting to the landscape. The Adjustable Arc can be set anywhere between 1°-360°, with a quick turn of the Hunter wrench. An extra-large filter screen has been factory installed, yet removes effortlessly for cleaning.

If you're a contractor that wants to streamline operations and stock just one head that does it all (perfect for maintenance crews), you'll appreciate the all-in-one convenience of the PS.

The spray sprinkler of choice for fast and easy installation.



PRODUCT FEATURES AND BENEFITS

New Improved Nozzle Design...

Even more dirt tolerant than before

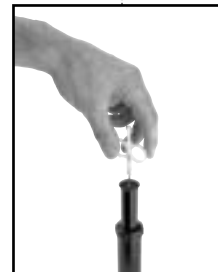
The Hunter PS now has greater internal dirt tolerance due to an improved nozzle design. If dirt can make its way past the super large fine mesh screen, it will automatically flow through the nozzle opening and out into the landscape. With a wider, more stable nozzle top, dirt is less likely to go back into the nozzle opening, thus preventing the potential for clogging and uneven coverage.



New Retaining Screw...

Greater nozzle retention than ever before

The PS nozzle now has a retaining screw that ensures nozzle retention all the time. And remember, radius adjustment is achieved with a quick twist of the wrench.



Three Different Models; Total Versatility...

The all-in-one is all you need

The PS sprinkler comes in a 2" (5 cm) or 4" (10 cm) pop-up and shrub model. Each of these have a radius that is easily identified by a color ring, of either 10' (3.0 m) red, 12' (3.7 m) green, 15' (4.6 m) black, 17' (5.2 m) white, and a side-strip of 5' x 30' (1.5 m x 9.1 m) blue.



PS Spray Sprinklers

Adjustable Arc Nozzles...

Like hundreds of different nozzles in one!

Whether it's an odd shaped lawn, a curvilinear shrub bed or a narrow strip, the Hunter PS spray sprinkler puts the water precisely where it should go. With the 1° - 360° Adjustable Arc feature, one nozzle does the work of many. No more fixed full circle or odd arc nozzles; just select a PS and then easily set the arc you need, keeping water precisely where you want it and off surrounding buildings and hardscape.

Heavy Duty Wiper Seal...

Eliminates unnecessary flow-by

When the PS sprinkler first pops-up, the heavy-duty wiper seal prevents wasteful flow-by of water around the riser.

Extra Large Filtering Screen...

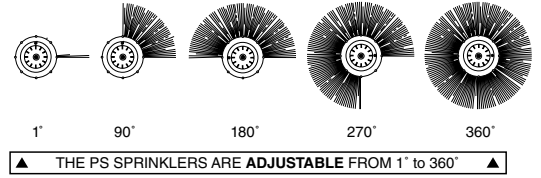
Captures large debris without interrupting flow

When it comes to convenience in servicing, the PS has an extra-large filtering screen that is truly the biggest in its class of sprinklers. Easy to remove and rinse, this screen prevents nozzle clogging in both clean water and dirty water systems.

Optional Drain Check Valve...

Eliminates low head drainage

If your landscapes have elevation changes, the Hunter PS can have a drain check valve installed in the field. The drain check valve will prevent drainage of up to 7' (2.1 m) of elevated water (Hunter part number 46-1843).



Small Exposed Diameter...

Out of sight, out of mind

The PS spray head has the smallest exposed surface diameter in its class of sprinklers. That not only helps make it easy to install, it also helps keep the sprinkler hidden from view when the job is completed.

Matched Precipitation Rates...

Prevents wet and dry spots

When adjusting the PS sprinkler's arc, the contractor can rest assured that as the arc gets bigger or smaller, so does the amount of water going through the head. Quarter-, half-, full- and odd arcs can all run at the same time and apply similar precipitation rates, making the irrigation of your landscape as efficient as can be.



PRODUCT PERFORMANCE

PS Standard Nozzle Performance Data

Arc	Pressure PSI	10 Foot Radius Adjustable from 1° to 360° Trajectory: 15° Color Code: Red ●				12 Foot Radius Adjustable from 1° to 360° Trajectory: 28° Color Code: Green ●				15 Foot Radius Adjustable from 1° to 360° Trajectory: 28° Color Code: Black ●				17 Foot Radius Adjustable from 1° to 360° Trajectory: 28° Color Code: White ○			
		Radius ft.	Flow GPM	Precip in/hr		Radius ft.	Flow GPM	Precip in/hr		Radius ft.	Flow GPM	Precip in/hr		Radius ft.	Flow GPM	Precip in/hr	
45°	20	10'	0.2	1.54	1.78	12'	0.4	2.14	2.47	14'	0.4	1.57	1.81	16'	0.9	2.71	3.13
	25	10'	0.2	1.54	1.78	12'	0.5	2.67	3.09	15'	0.5	1.71	1.98	17'	1.0	2.66	3.08
	30	11'	0.3	1.91	2.20	14'	0.5	1.96	2.27	16'	0.6	1.80	2.08	18'	1.1	2.61	3.02
	35	11'	0.3	1.91	2.20	14'	0.6	2.36	2.72	16'	0.7	2.11	2.43	18'	1.3	3.09	3.57
90°	20	10'	0.4	1.54	1.78	12'	0.6	1.60	1.85	14'	0.7	1.38	1.59	16'	1.6	2.41	2.78
	25	10'	0.4	1.54	1.78	12'	0.8	2.14	2.47	15'	0.9	1.54	1.78	17'	1.8	2.40	2.77
	30	11'	0.5	1.59	1.84	14'	0.9	1.77	2.04	16'	1.0	1.50	1.74	18'	1.9	2.26	2.61
	35	11'	0.5	1.59	1.84	14'	0.9	1.77	2.04	16'	1.1	1.65	1.91	18'	2.1	2.50	2.88
120°	20	10'	0.5	1.44	1.67	12'	0.8	1.60	1.85	14'	0.9	1.33	1.53	16'	1.6	1.80	2.08
	25	10'	0.6	1.73	2.00	12'	0.9	1.80	2.08	15'	1.1	1.41	1.63	17'	1.9	1.90	2.19
	30	11'	0.6	1.43	1.65	14'	1.0	1.47	1.70	16'	1.2	1.35	1.56	18'	2.1	1.87	2.16
	35	11'	0.7	1.67	1.93	14'	1.1	1.62	1.87	16'	1.3	1.47	1.69	18'	2.3	2.05	2.37
180°	20	10'	0.7	1.35	1.56	12'	1.2	1.60	1.85	14'	1.4	1.38	1.59	16'	2.4	1.80	2.08
	25	10'	0.8	1.54	1.78	12'	1.3	1.74	2.01	15'	1.6	1.37	1.58	17'	2.7	1.80	2.08
	30	11'	1.0	1.59	1.84	14'	1.5	1.47	1.70	16'	1.8	1.35	1.56	18'	2.9	1.72	1.99
	35	11'	1.0	1.59	1.84	14'	1.6	1.57	1.81	16'	2.0	1.50	1.74	18'	3.1	1.84	2.13
240°	20	10'	1.0	1.44	1.67	12'	1.5	1.50	1.74	14'	1.7	1.25	1.45	16'	2.6	1.47	1.69
	25	10'	1.2	1.73	2.00	12'	1.7	1.70	1.97	15'	1.9	1.22	1.41	17'	2.9	1.45	1.67
	30	11'	1.3	1.55	1.79	14'	1.9	1.40	1.62	16'	2.1	1.18	1.37	18'	3.2	1.43	1.65
	35	11'	1.4	1.67	1.93	14'	2.1	1.55	1.79	16'	2.3	1.30	1.50	18'	3.5	1.56	1.80
270°	20	10'	1.1	1.41	1.63	12'	1.7	1.52	1.75	14'	2.0	1.31	1.51	16'	2.8	1.40	1.62
	25	10'	1.3	1.67	1.93	12'	1.9	1.69	1.96	15'	2.2	1.25	1.45	17'	3.1	1.38	1.59
	30	11'	1.5	1.59	1.84	14'	2.1	1.38	1.59	16'	2.4	1.20	1.39	18'	3.3	1.31	1.51
	35	11'	1.6	1.70	1.96	14'	2.3	1.51	1.74	16'	2.6	1.30	1.51	18'	3.9	1.54	1.78
360°	20	10'	1.4	1.35	1.56	12'	2.1	1.40	1.62	14'	3.0	1.47	1.70	16'	3.7	1.39	1.61
	25	10'	1.6	1.54	1.78	12'	2.2	1.47	1.70	15'	3.4	1.45	1.68	17'	4.3	1.43	1.65
	30	11'	2.0	1.59	1.84	14'	2.8	1.38	1.59	16'	3.6	1.35	1.56	18'	4.6	1.37	1.58
	35	11'	2.1	1.67	1.93	14'	3.0	1.47	1.70	16'	4.0	1.50	1.74	18'	4.8	1.43	1.65
40	12'	2.4	1.60	1.85	15'	3.3	1.41	1.63	17'	4.4	1.47	1.69	19'	5.3	1.41	1.63	

PS-5S-S Side Strip

- A specially designed spray sprinkler for long, narrow landscape and turf areas.
- Optimum performance at 25 PSI covers an area 5 feet wide by 30 feet long.
- Triangular, head-to-head spacing is recommended.

PS Side Strip Nozzle Performance Data

Nozzle	Pressure PSI	Width x Length	Flow GPM	Precip in/hr	Color Code: Blue ●
Model 5SS Side Strip	20	4' x 28'	1.1	0.95	
	25	5' x 30'	1.2	0.77	
	30	5' x 30'	1.3	0.83	
	35	5' x 32'	1.4	0.84	
	40	5' x 33'	1.5	0.90	

PS Spray Sprinklers

PS Standard Nozzle Performance Data - Metric

Arc	3.0 Meter Radius (10')						3.7 Meter Radius (12')						4.6 Meter Radius (15')						5.2 Meter Radius (17')								
	Pressure		Radius		Flow		Precip		Radius		Flow		Precip		Radius		Flow		Precip		Radius		Flow		Precip		
	Bars	kPa	m	m ³ /hr	l/min	■	▲	m	m ³ /hr	l/min	■	▲	m	m ³ /hr	l/min	■	▲	m	m ³ /hr	l/min	■	▲	m	m ³ /hr	l/min	■	▲
45°	1.4	137	3.0	0.05	0.8	39	45	3.7	0.09	1.5	54	63	4.3	0.09	1.5	40	46	4.9	0.20	3.4	69	79	4.9	0.20	3.4	69	79
	1.7	172	3.0	0.05	0.8	39	45	3.7	0.11	1.9	68	78	4.6	0.11	1.9	43	50	5.2	0.23	3.8	68	78	5.2	0.23	3.8	68	78
	2.1	206	3.4	0.07	1.1	48	56	4.1	0.11	1.9	50	58	4.9	0.14	2.3	46	53	5.5	0.25	4.2	66	77	5.5	0.25	4.2	66	77
	2.4	241	3.4	0.07	1.1	48	56	4.3	0.14	2.3	60	69	4.9	0.16	2.6	53	62	5.5	0.30	4.9	78	91	5.5	0.30	4.9	78	91
90°	1.4	137	3.0	0.09	1.5	39	45	3.7	0.14	2.3	41	47	4.3	0.16	2.6	35	40	4.9	0.36	6.1	61	71	4.9	0.36	6.1	61	71
	1.7	172	3.0	0.09	1.5	39	45	3.7	0.18	3.0	54	63	4.6	0.20	3.4	39	45	5.2	0.41	6.8	61	70	5.2	0.41	6.8	61	70
	2.1	206	3.4	0.11	1.9	40	47	4.1	0.20	3.4	45	52	4.9	0.23	3.8	38	44	5.5	0.43	7.2	57	66	5.5	0.43	7.2	57	66
	2.4	241	3.4	0.11	1.9	40	47	4.3	0.20	3.4	45	52	4.9	0.25	4.2	42	49	5.5	0.48	7.9	63	73	5.5	0.48	7.9	63	73
120°	1.4	137	3.0	0.11	1.9	37	42	3.7	0.18	3.0	41	50	4.3	0.20	3.4	34	39	4.9	0.50	8.3	60	69	4.9	0.50	8.3	60	69
	1.7	172	3.0	0.14	2.3	44	51	3.7	0.20	3.4	46	53	4.6	0.25	4.2	36	41	5.2	0.43	7.2	48	56	5.2	0.43	7.2	48	56
	2.1	206	3.4	0.14	2.3	36	42	4.1	0.23	3.8	37	43	4.9	0.27	4.5	34	40	5.5	0.48	7.9	48	55	5.5	0.48	7.9	48	55
	2.4	241	3.4	0.16	2.6	42	49	4.3	0.25	4.2	41	47	4.9	0.30	4.9	37	43	5.5	0.52	8.7	52	60	5.5	0.52	8.7	52	60
180°	1.4	137	3.0	0.16	2.6	34	40	4.6	0.27	4.5	39	45	5.2	0.34	5.7	38	44	5.8	0.55	9.1	49	56	5.8	0.55	9.1	49	56
	1.7	172	3.0	0.18	3.0	39	45	3.7	0.30	4.9	44	51	4.6	0.36	6.1	35	40	4.9	0.61	10.2	46	53	4.9	0.61	10.2	46	53
	2.1	206	3.4	0.23	3.8	40	47	4.1	0.34	5.7	37	43	4.9	0.41	6.8	34	40	5.5	0.66	11.0	44	51	5.5	0.66	11.0	44	51
	2.4	241	3.4	0.23	3.8	40	47	4.3	0.36	6.1	40	46	4.9	0.45	7.6	38	44	5.5	0.70	11.7	47	54	5.5	0.70	11.7	47	54
240°	1.4	137	3.0	0.23	3.8	37	42	4.6	0.39	6.4	37	43	5.2	0.48	7.9	36	41	5.8	0.75	12.5	45	52	5.8	0.75	12.5	45	52
	1.7	172	3.0	0.27	4.5	44	51	3.7	0.39	6.4	43	50	4.6	0.43	7.2	31	36	4.9	0.59	9.8	37	43	4.9	0.59	9.8	37	43
	2.1	206	3.4	0.30	4.9	39	46	4.1	0.43	7.2	36	41	4.9	0.48	7.9	30	35	5.5	0.73	12.1	36	42	5.5	0.73	12.1	36	42
	2.4	241	3.4	0.32	5.3	42	49	4.3	0.48	7.9	39	45	4.9	0.52	8.7	33	38	5.5	0.80	13.2	40	46	5.5	0.80	13.2	40	46
270°	1.4	137	3.0	0.25	4.2	36	41	4.6	0.50	8.3	36	41	5.2	0.57	9.5	32	37	5.8	0.84	14.0	38	43	5.8	0.84	14.0	38	43
	1.7	172	3.0	0.30	4.9	42	49	3.7	0.39	6.4	38	44	4.3	0.45	7.6	33	38	4.9	0.64	10.6	36	41	4.9	0.64	10.6	36	41
	2.1	206	3.4	0.34	5.7	40	47	4.1	0.48	7.9	35	40	4.9	0.55	9.1	31	35	5.5	0.75	12.5	33	38	5.5	0.75	12.5	33	38
	2.4	241	3.4	0.36	6.1	43	50	4.3	0.52	8.7	38	44	4.9	0.59	9.8	33	38	5.5	0.89	14.8	39	45	5.5	0.89	14.8	39	45
360°	1.4	137	3.0	0.32	5.3	34	40	4.6	0.55	9.1	35	40	5.2	0.64	10.6	32	36	5.8	0.91	15.1	36	42	5.8	0.91	15.1	36	42
	1.7	172	3.0	0.36	6.1	39	45	3.7	0.48	7.9	36	41	4.3	0.68	11.4	37	43	4.9	0.84	14.0	35	41	4.9	0.84	14.0	35	41
	2.1	206	3.4	0.45	7.6	40	47	4.1	0.64	10.6	35	40	4.9	0.82	13.6	34	40	5.5	1.04	17.4	35	40	5.5	1.04	17.4	35	40
	2.4	241	3.4	0.48	7.9	42	49	4.3	0.68	11.4	37	43	4.9	0.91	15.1	38	44	5.5	1.09	18.2	36	42	5.5	1.09	18.2	36	42
2.8	275	3.7	0.55	9.1	41	47	4.6	0.75	12.5	36	41	5.2	1.00	16.7	37	43	5.8	1.20	20.1	36	41	5.8	1.20	20.1	36	41	

PS Side Strip Nozzle Performance Data - Metric

Nozzle	Color Code: Blue ●					
	Pressure Bars	Pressure kPa	Width x Length	Flow m ³ /hr	Flow l/min	Precip mm/hr
Model 5SS Side Strip	1.4	137	1.2 m x 8.5 m	0.25	4.2	24
	1.7	172	1.5 m x 9.1 m	0.27	4.5	20
	2.1	206	1.5 m x 9.1 m	0.30	4.9	21
	2.4	241	1.5 m x 9.8 m	0.32	5.3	21
	2.8	275	1.5 m x 10.1 m	0.34	5.7	23

PS-5S-S Side Strip

- A specially designed spray sprinkler for long, narrow landscape and turf areas.
- Optimum performance at 1.7 bars/172 kPa covers an area 1.5 meters wide x 9.1 meters long.
- Triangular, head-to-head spacing is recommended.

PRODUCT COMPARISON

FEATURES	Hunter® PS	Toro® 570Z	Nelson® PRO 6300	Hardie® HS	Rain Bird® 1800	Rain Bird® UniSpray
Integral, permanently attached nozzles	✓					
Adjustable Arc 0° – 360°	✓				✓	✓
Extra large filter screen	✓					
Less than 1 ½" exposed diameter	✓					
No Flow-by wiper seal	✓	✓	✓	✓	✓	✓
Ratcheting riser	✓	✓	✓	✓	✓	✓

SPECIFICATION GUIDE

EXAMPLE: **PS - 04 - (15) - A**

MODEL	POP-UP HEIGHT	RADIUS	PATTERN
PS	00 = Shrub 02 = 2" Pop-up 04 = 4" Pop-up	(10) = 10' (12) = 12' (15) = 15' (17) = 17' (5S) = Side Strip	A = Adjustable S = Side Strip

TECHNICAL INFORMATION

MODELS

PS-00 – Shrub
PS-02 – 2" Pop-up (5 cm)
PS-04 – 4" Pop-up (10 cm)

DIMENSIONS

- Overall height:
PS-00 – 4 ½" (11 cm)
PS-02 – 4 ½" (11 cm)
PS-04 – 6 ½" (16 cm)
- ½" female inlet NPT
- Exposed diameter: 1 ¼" (3 cm)

OPERATING SPECIFICATIONS

- Discharge rate: .2 to 5.3 GPM
(0.05 to 1.20 m³/hr; 0.8 to 20.1 l/min)
- Radius: 10' to 19' (3.0 to 5.8 m)
- Pressure range: 20 to 40 PSI
(1.4 to 2.8 bars; 137 to 275 kPa)
- Optional field installed drain check valve for up to 7' (2.1 m) elevation change.
Part number 46-1843
- Precipitation rates: approximately 1.4" to 1.7"
(35 to 43 mm) per hour

INSTALLATION AND MAINTENANCE

Installation Instructions

1. DO NOT REMOVE THE NOZZLE.
The filter screen is accessible from the bottom of the riser.
2. Install all sprinklers; align the raised dot on top of each nozzle with what will be the right edge of the spray arc (looking from “behind” the sprinkler).
3. Unscrew the internal assembly from the last head on each lateral line.
4. Flush the lines. Replace the internal assemblies.
5. Adjust arc and radius for each sprinkler, as described below.

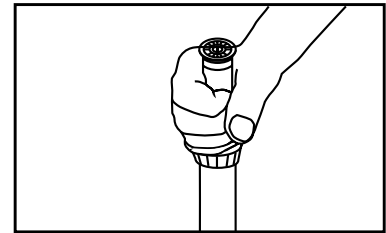
Arc Adjustment

The sprinklers come from the factory with a preset spray arc of 1° (a very thin stream). The raised dot on top of the nozzle indicates the adjustable (left) edge of the spray pattern. With the raised dot aligned to the right-hand border of the coverage area, insert the hex end of the Hunter wrench into the stainless-steel hex screw and turn the screw counter-clockwise to increase the arc. The nozzle turns with the screw, and both the arc of coverage and the discharge rate are increased. Do not use the Hunter wrench sideways in the spokes to adjust the arc. The flow will not adjust proportionately to the arc.

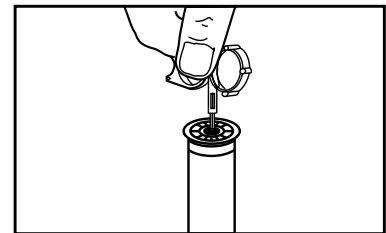
Adjustment

Hold the plastic nozzle stationary by inserting the two pins on the side of a Hunter wrench between any of the nozzle spokes. With a second Hunter wrench, turn the stainless steel hex screw clockwise to decrease, and counter-clockwise to increase the radius and discharge rate.

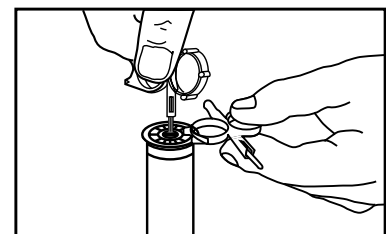
The radius should not be reduced more than 25%. The sprinkler is preset at the factory for maximum radius.



Ratcheting Riser



Adjusting Arc

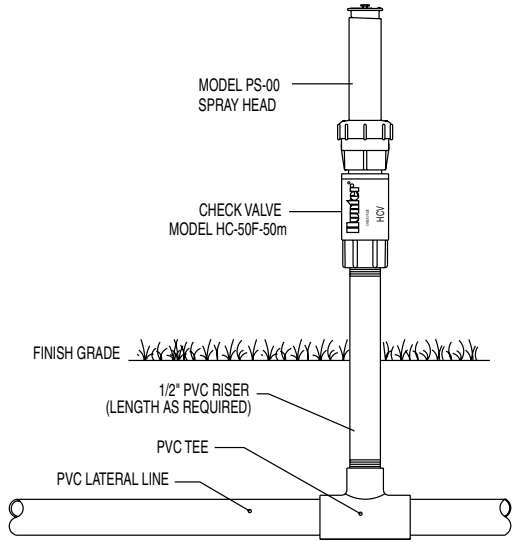


Adjusting Radius



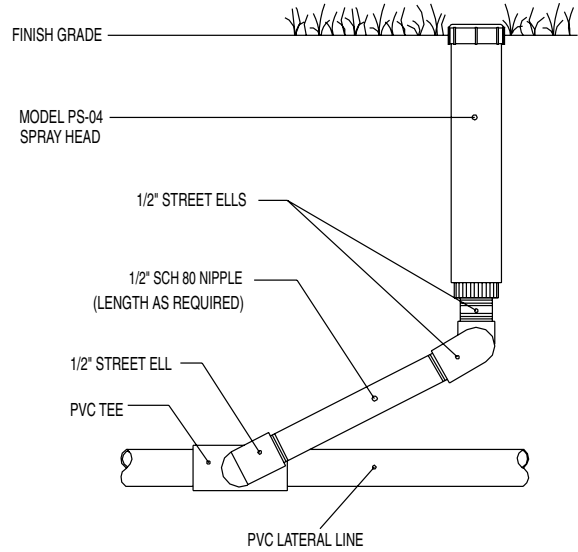
**INCORRECT WAY
TO ADJUST ARC**

INSTALLATION DETAILS



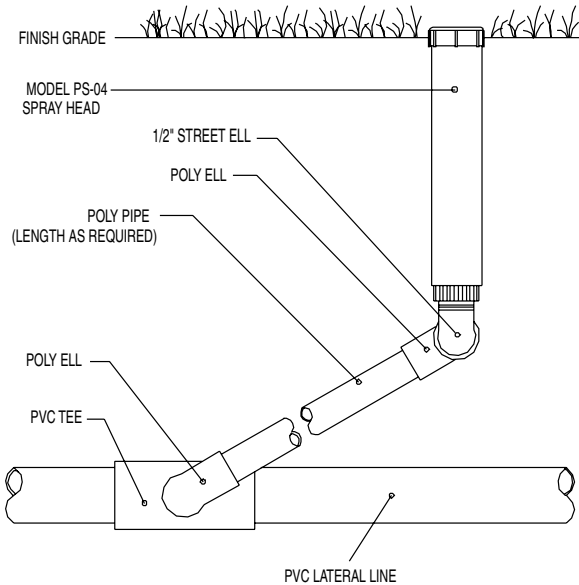
Hunter® PS-00 WITH HCV

PS-00.



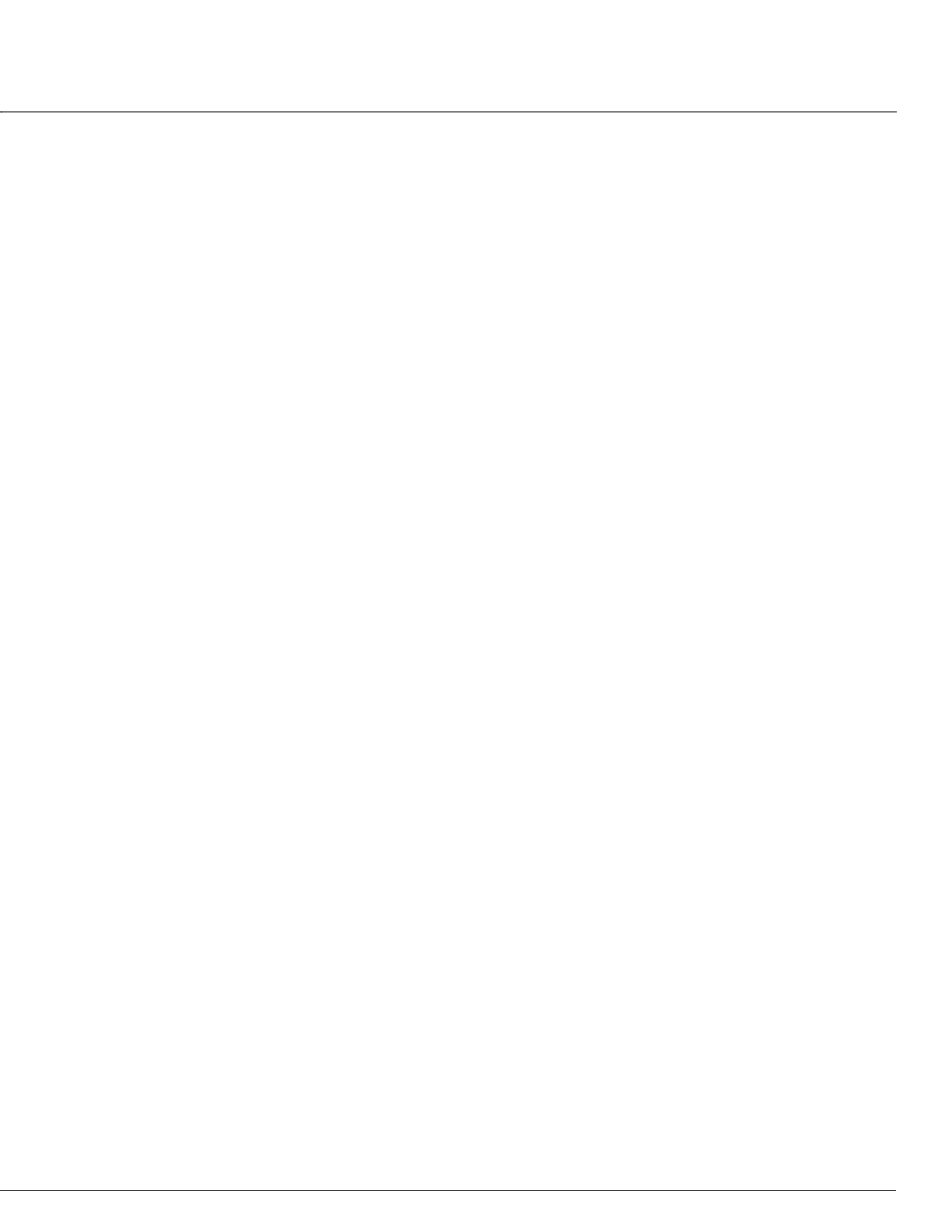
Hunter® PS-04

PS-04SJ.



Hunter® PS-04

PSPOLY.



Hunter®

Hunter Industries Incorporated • The Irrigation Innovators

1940 Diamond Street • San Marcos, California 92078 • TEL: (1) 760-744-5240 • FAX: (1) 760-744-7461
www.HunterIndustries.com

© 2006 Hunter Industries Incorporated

LIT-212.PDF 1/06