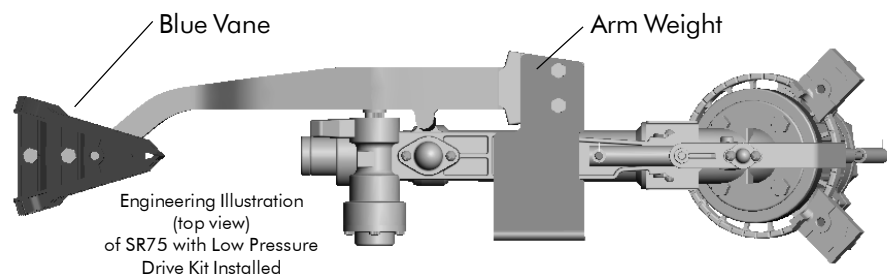


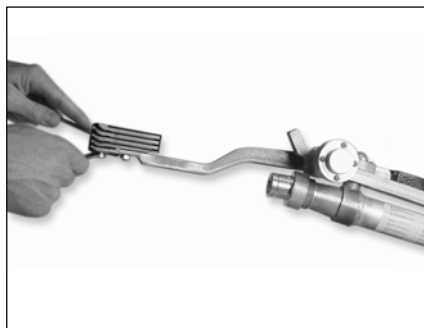
SR75 BIG GUN — LOW PRESSURE DRIVE KIT #10607

Nelson Irrigation has discovered in some conditions a low pressure drive vane improves the operation of the SR75 gun sprinkler. A #10607 kit has been developed which includes a low pressure drive vane and arm weight. This kit is for operational situations where the standard drive is very slow due to low pressure and/or flexible mounting. Use of this kit will speed up the rotation of the sprinkler.

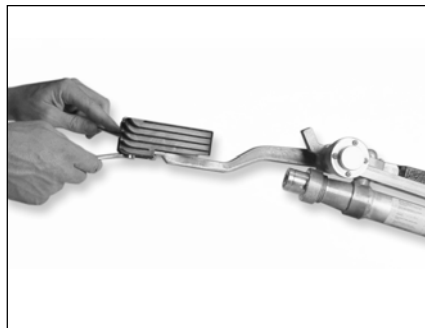
CAUTION: Excessive rotation speed (40 seconds or less) will result in reduced sprinkler throw performance and reduce sprinkler bearing life.



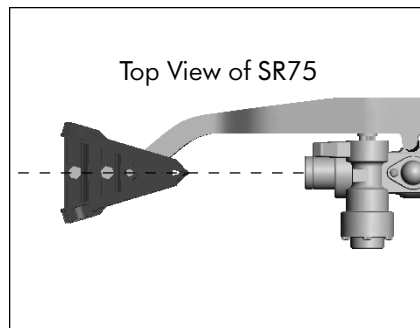
COMPONENTS: Blue drive vane, washer, arm weight. **TOOLS NEEDED:** 7/16" wrench and pliers.



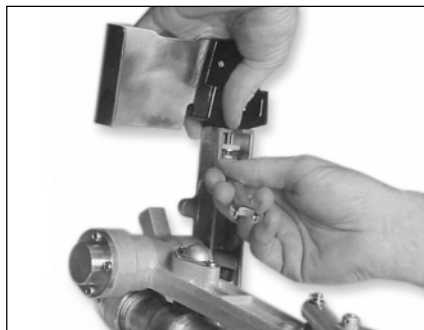
STEP 1: Remove black drive vane #8231.



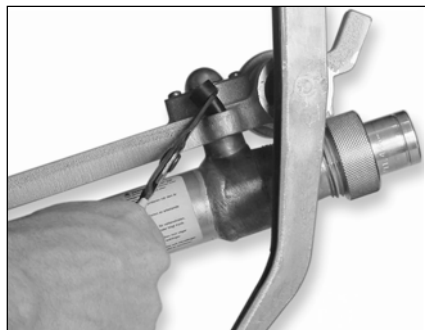
STEP 2: Install blue, low pressure vane #8354-002.



STEP 3: Using a ruler, position the drive vane to have equal shift (drive) in both directions of rotation. Tighten the bolts.



STEP 4: Replace #6597 drive arm weight with #10606 arm weight assembly.



STEP 5: Remove the black rubber bumper on the shift lever with pliers



STEP 6: Place washer #10605 between the bumper and aluminum shift lever casting. Push bumper securely in place.

Please refer to the Nelson Irrigation Corporation Warranty and Disclaimer Statement