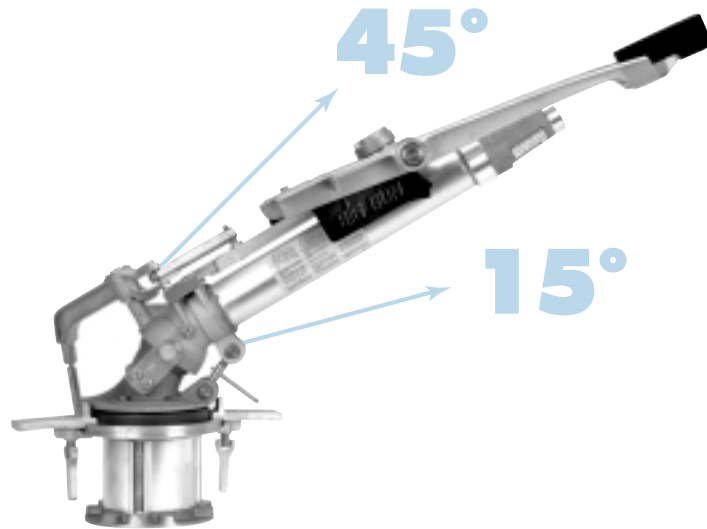


ADJUSTABLE TRAJECTORY SRA150 BIG GUN®

Development efforts in the Nelson **Big Gun®** sprinkler line continue. We are pleased to announce the availability of the **SRA150** — a new model with an adjustable trajectory designed to meet varying application requirements.

Varying trajectory angle is simple, and can be used to increase wind-fighting ability or to avoid obstacles such as power lines in the field. The SRA150 is capable of trajectory angles from 15° to 45°. Nelson engineers have designed and integrated a clean and simple mechanism of adjustment.

To vary the trajectory angle simply adjust the turn-buckle and dial in the desired trajectory with the calibrated scale. Maintaining the unequalled quality and reliability of the **Slow Reverse (SR)** series, all of the components of the field-proven drive arm assembly and lower bearing are the same as the existing SR150, minimizing additional parts and service requirements. Please see the enclosed price list for prices. Production is limited ... contact the Nelson factory for availability.



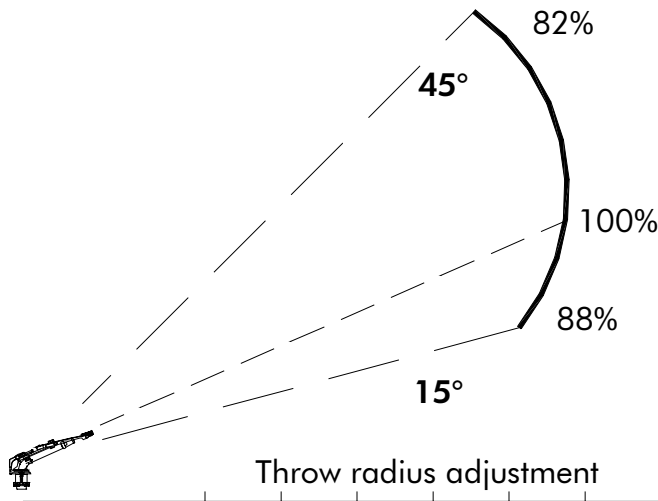
Applications Include:

- Feed Lot Dust Suppression
- Mining Dust Suppression
- Fire Prevention
- Traveler Irrigation
- Waste Disposal



Warranty and Disclaimer

Nelson Big Gun® Sprinklers are warranted for one year from date of original sale to be free of defective materials and workmanship when used within the working specifications for which the products were designed and under normal use and service. The manufacturer assumes no responsibility for installation, removal or unauthorized repair of defective parts. The manufacturer's liability under this warranty is limited solely to replacement or repair of defective parts and the manufacturer will not be liable for any crop or other consequential damages resulting from defects or breach of warranty. THIS WARRANTY IS EXPRESSLY IN LIEU OF ALL OTHER WARRANTIES, EXPRESS OR IMPLIED, INCLUDING THE WARRANTIES OF MERCHANTABILITY AND FITNESS FOR PARTICULAR PURPOSES AND OF ALL OTHER OBLIGATIONS OR LIABILITIES OF MANUFACTURER. No agent, employee or representative of the manufacturer has authority to waive, alter or add to the provisions of this warranty, nor to make any representations or warranty not contained herein.

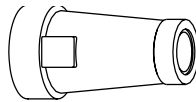


The throw distance of the SRA150 is relative to the set trajectory. (See graph on the left.) The tables below provide performance data for the 150 Taper Bore Nozzle at a trajectory of 24°. Tests were made on a 3 foot riser. Ring and Taper Ring Nozzles are also available.

Performance data has been obtained under ideal test conditions and may be adversely affected by wind, poor hydraulic entrance conditions or other factors. No representation regarding droplet condition, application rate or suitability for a particular application is made herein.

150 TAPER BORE NOZZLE — 24° TRAJECTORY — U.S. UNITS

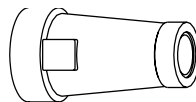
150T – Specify size when ordering



PSI	0.70" 9317-070		0.80" 9317-080		0.90" 9317-090		1.0" 9317-100		1.1" 9317-110		1.2" 9317-120		1.3" 9317-130			
	GPM	DIA. FT.	GPM	DIA. FT.	GPM	DIA. FT.	GPM	DIA. FT.	GPM	DIA. FT.	GPM	DIA. FT.	GPM	DIA. FT.		
50	100	250	130	270	165	290	205	310	255	330	300	345	350	360	408	373
60	110	265	143	285	182	305	225	325	275	345	330	365	385	380	446	396
70	120	280	155	300	197	320	245	340	295	360	355	380	415	395	483	412
80	128	290	165	310	210	335	260	355	315	375	380	395	445	410	516	427
90	135	300	175	320	223	345	275	365	335	390	405	410	475	425	547	442
100	143	310	185	330	235	355	290	375	355	400	425	420	500	440	577	458
110	150	320	195	340	247	365	305	385	370	410	445	430	525	450	605	471
120	157	330	204	350	258	375	320	395	385	420	465	440	545	460	632	481

150 TAPER BORE NOZZLE — 24° TRAJECTORY — METRIC UNITS

150T – Specify size when ordering



kg/cm²	17,8mm 9317-070		20,3mm 9317-080		22,9mm 9317-090		25,4mm 9317-100		27,9mm 9317-110		30,5mm 9317-120		33,0mm 9317-130	
	M³/H	M	M³/H	M	M³/H	M	M³/H	M	M³/H	M	M³/H	M	M³/H	M
3,5	23,0	76,0	29,8	82,0	37,8	88,0	46,9	95,0	57,1	101	68,3	105	80,1	110
4,0	24,6	79,6	31,9	85,6	40,4	91,6	50,1	97,8	61,0	104	73,0	109	85,7	114
5,0	27,5	85,4	35,7	91,6	45,2	98,6	56,0	105	68,2	111	81,7	117	95,8	121
6,0	30,1	89,7	39,1	96,7	49,5	104	61,3	110	74,7	117	89,5	123	105	128
7,0	32,5	95,0	42,2	101	53,5	108	66,3	114	80,7	122	96,6	128	113	134
8,0	34,8	99,3	45,1	105	57,2	112	70,8	118	86,3	126	103	132	121	138
9,0	36,9	104	47,9	110	60,6	117	75,1	123	91,5	131	110	137	129	143