

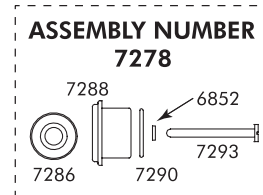
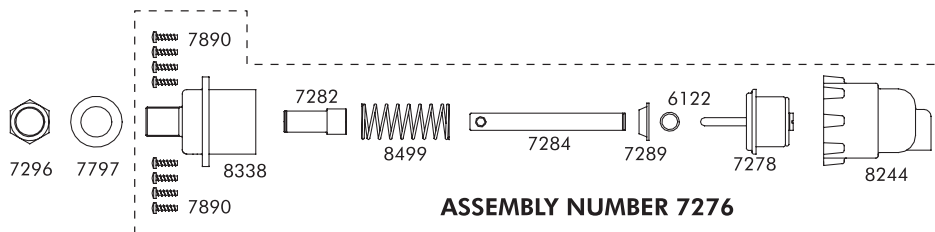
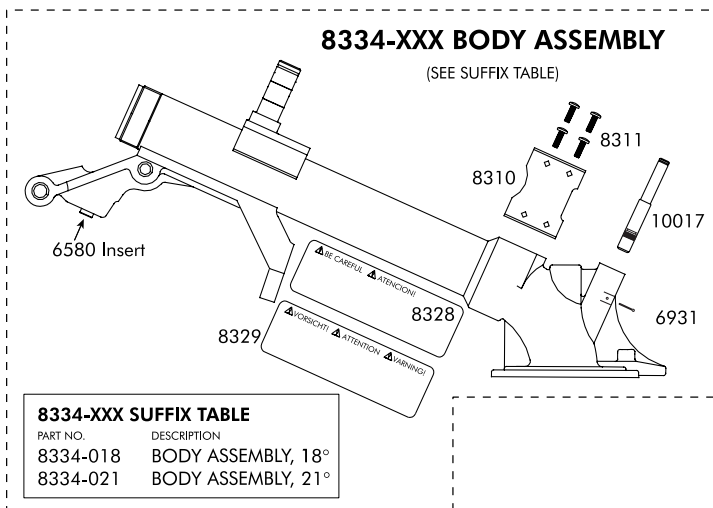
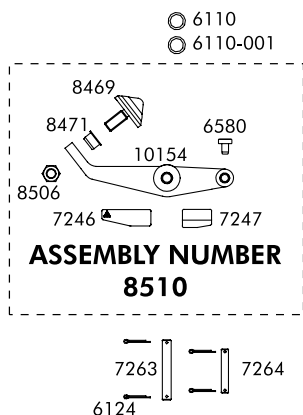
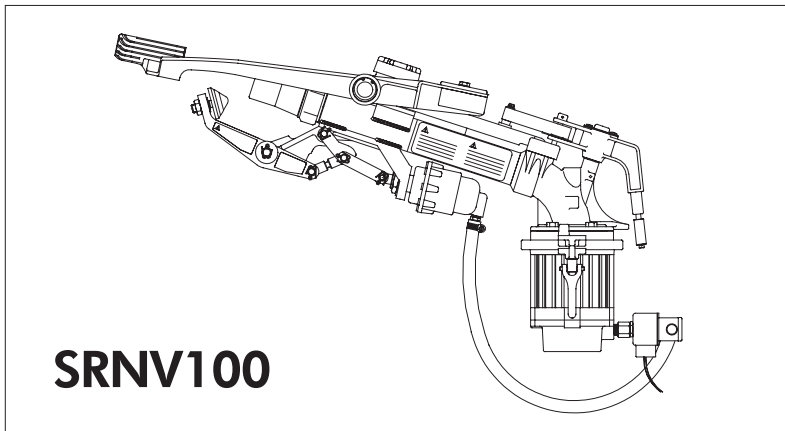
innovation in irrigation™



SRNV100 BIG GUN®

SRNV100 BIG GUN® PARTS LIST

8334-XXX	BODY ASSEMBLY, SRNV100	
part number	description	qty.
6580	Insert, Rest Pad	1
6931	Pin, Coiled Spring, .125" x .75"	1
8310	Stop, Shifter — SR100	1
8311	Screw, #8-32 x .375" Self Tapping Pan Hd.	4
8274	Shaft, Trip Lever — SR100	1
8328	Label, Warning — English, Spanish	1
8329	Label, Warning — German, French, Swedish	1
8510	NOZZLE LEVER ASSEMBLY	
6850	Insert, Rest Pad	1
7246	Label, Warning Message — NV	1
7247	Label, Warning NV	1
8469	Seat Assembly, Valve — SRNV100	1
8471	Bushing, Threaded	1
8506	Nut, .438-14 Hex Jam	1
10154	Lever Subassembly, Nozzle	1

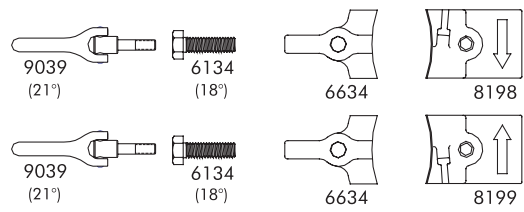
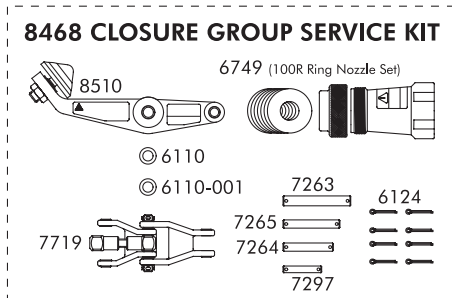
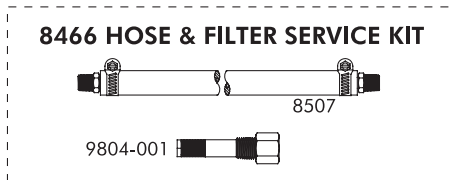
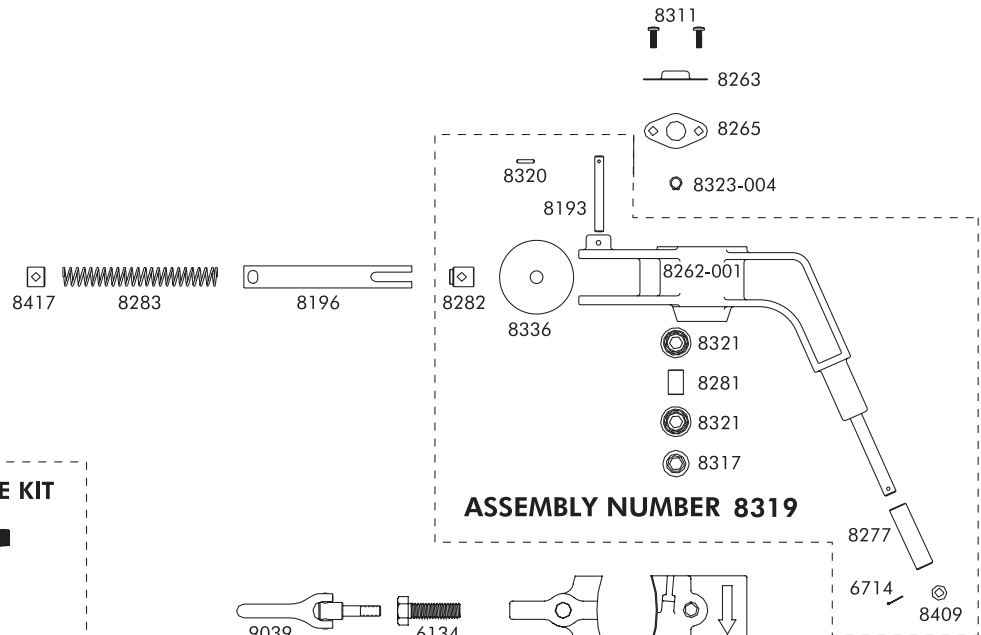
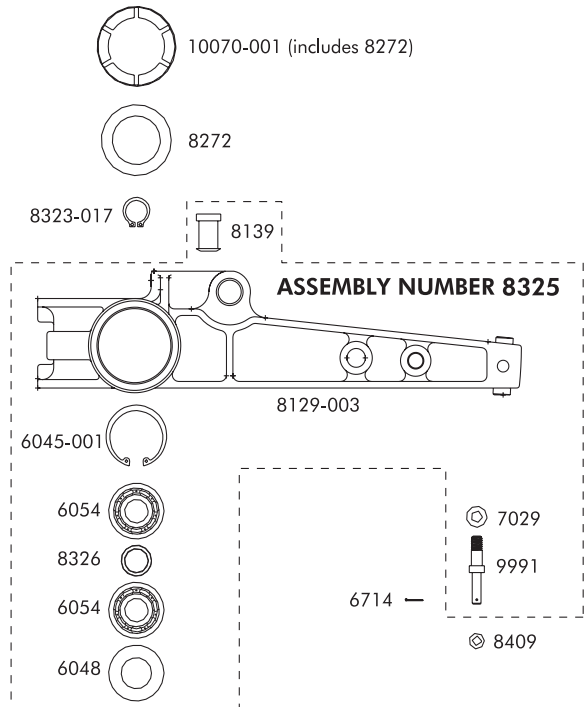


7276	ACTUATOR ASSEMBLY	
part number	description	qty.
6122	Ring, Retaining, -50 Spiral Ext.	1
7278	Piston Assembly — NV100	1
7282	Bearing, Rod — NV100	1
7284	Rod, Actuator — NV100	1
7289	Guide, Spring — NV100	1
7890	Screw, #8-10 x .625" Thread Forming Pan Hd.	8
8244	Cap, End — NV100	1
8338	Cylinder, Actuator — NV100	1
8499	Spring, Actuator — NV100	1

7278	PISTON ASSEMBLY	
6852	Washer, Piston Guide — NV100	1
7286	Piston — NV100	1
7288	Diaphragm, Actuator — NV100	1
7290	Retainer, Diaphragm — NV100	1
7293	Guide, Piston — NV100	1

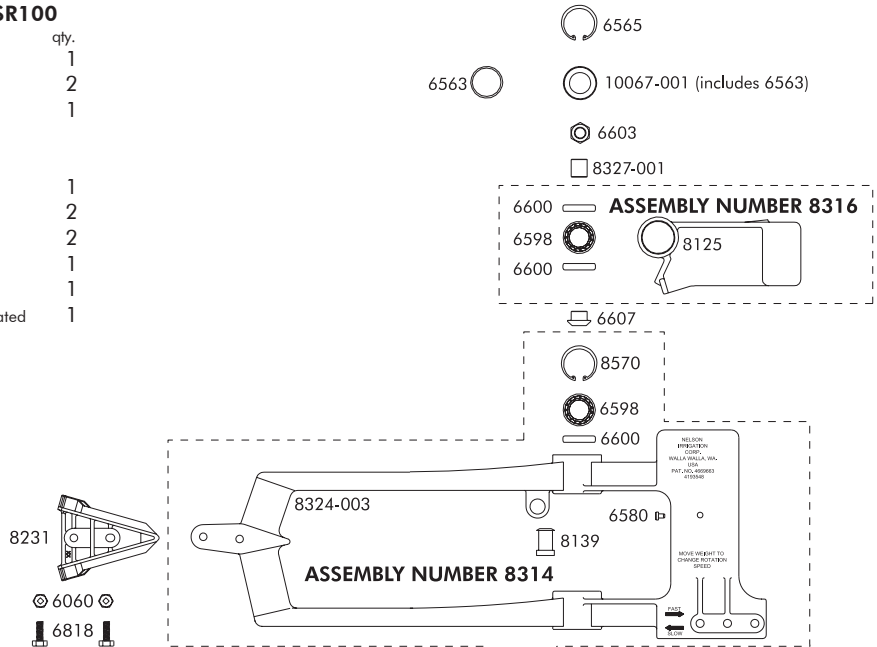
8325 SHIFT LEVER ASSEMBLY		
part number	description	qty.
6045-001	Ring, Retaining, -156 Basic Internal Coated	1
6048	Seal, Oil	1
6054	Bearing, Ball, 17 x 40 x 12mm	2
7029	Washer, .312" Spring Lock	1
8129-003	Lever, Shift — SR100	1
8139	Bumper	1
8326	Spacer, Shift Lever — SR100	1
9991	Pin, Shift, Hex Drive — SR100	1

8319 TRIP LEVER ASSEMBLY		
6714	Pin, Cotter, .062" x .50"	1
8193	Pin, Stop — SR100	1
8281	Spacer, Trip Lever — SR100	1
8262-003	Lever, Trip — SR100	1
8277	Roller, Trip — SR100	1
8282	Follower, Trip Spring	1
8317	Seal, Oil	1
8320	Pin, Coiled Spring, .094" x .50"	1
8321	Bearing, Ball, 8 x 22 x 7mm	2
8336	Washer, Spring Guide — SR100	1
8409	Washer, Trip Roller — SR100	1



8316	COUNTERWEIGHT ASSEMBLY, SR100	
part number	description	qty.
6598	Bearing, Ball, 12 x 32 x 10mm	1
6600	Seal, Oil	2
8125	Counterweight — SR100	1

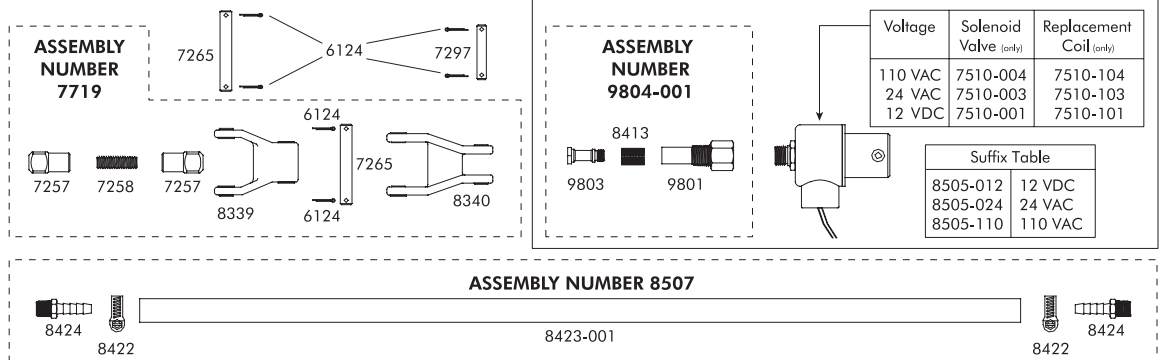
8314	DRIVE ARM ASSEMBLY, SR100	
part number	description	qty.
6580	Insert, Rest Pad	1
6598	Bearing, Ball, 12 x 32 x 10mm	2
6600	Seal, Oil	2
8139	Bumper	1
8234-003	Arm, Drive — SR100	1
8570	Ring, Retaining, -125 Basic Internal, Coated	1



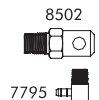
7719	LINKAGE ASSEMBLY — NV100	
part number	description	qty.
6124	Pin, Cotter, .094" x .75"	2
7257	Link, Adjustable Toggle — NV100	1
7258	Rod, Adjusting — NV100	1
7265	Pin, Upper Toggle — NV100	1
8339	Lever Assembly, Toggle — NV100	1
8340	Link Assembly, Actuator — NV100	1

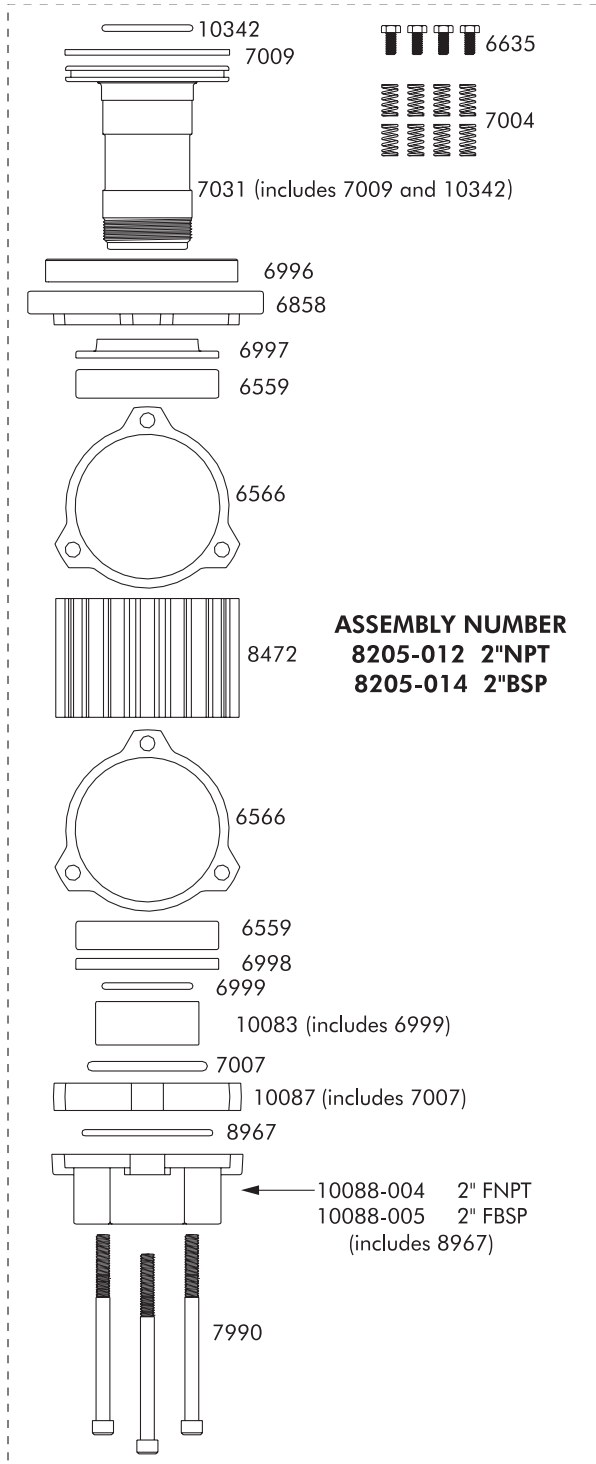
9804-001	FILTER ASSEMBLY, INTERNAL	
part number	description	qty.
8413	Screen, Filter	1
9801	Adapter, Internal Filter	1
9803	Support, Screen	1

8507	HOSE ASSEMBLY — NV100	
part number	description	qty.
8422	Clamp, Hose	2
8423-001	Hose, .25" x 24" — NV100	1
8424	Fitting, Hose Barb	2



8505-XXX	VALVE GROUP — NV100	
part number	description	qty.
7510-001	Solenoid, Valve, 12 VDC	
7510-003	Solenoid, Valve, 24 VAC	
7510-004	Solenoid Valve, 110 VAC	
9804-001	Filter Assembly, Internal	





ASSEMBLY NUMBER
8205-012 2"NPT
8205-014 2"BSP

BEARING ASSEMBLY HD100NV

part number	description	qty.
6559	Bearing, Ball, 50 x 80 x 16mm	2
6566	Gasket, Housing — HD100	2
6635	Screw, .312-18 x .688" Hex Head Cap	4
6858	Cover, Part-Circle — HD100	1
6996	Ring, Brake — HD100	1
6997	Seal, Upper — HD100	1
6998	Seal, Center — HD100	1
6999	O-Ring, -224	1
7004	Spring, Brake — HD100	8
7007	O-Ring, -331 Special	1
7009	Seal, Dust — HD100	1
7031	Shaft Assembly — HD100	1
7990	Screw, .312-18 x 4.25" Hex Hd Cap	3
8472	Housing — HD100	1
8967	O-Ring, -231 Special	1
10083	Retainer Assembly — HD100	1
10087	Spacer Assembly — HD100	1
10088-004	Flange Assembly, 2" FNPT	1
10088-005	Flange Assembly, 2" FBSP	1
10342	O-Ring, -225	1

ASSEMBLY COMPONENT DESCRIPTIONS

part number	description	qty.
6060	Nut, .25-20 Finished Hex	2
6110	Washer, .375" Flat Thin	2
6110-001	Washer, .375" Flat Thick	2
6124	Pin, Cotter, .094" x .75"	8
6134	Screw, .312-18 x 1.00" Hex Head Cap	2
6563	O-Ring, -024	2
6565	Ring, Retaining, -125 Basic Internal	2
6603	Nut, .438-20 Special	2
6607	Spacer, Bracket to Counterweight — F100	1
6607-001	Spacer, Drive Arm to Shift Lever — SR100	1
6634	Clamp — SR100	2
6714	Pin, Cotter, .062" x .50"	1
6818	Screw, .25-20 x .75" Hex Head Cap	3
7263	Pin, Pivot — NV100	1
7264	Pin, Lower Toggle — NV100	1
7265	Pin, Upper Toggle — NV100	1
7296	Nut, .875-16 Hex Jam Special — NV100	1
7297	Pin, Actuator — NV100	1
7795	Fitting, Elbow, .125 NPT x Hose Barb	1
7797	Washer, Actuator — NV100	1
8196	Guide, Spring — SR100	1
8198	Stop, CCW — SR100	1
8199	Stop, CW — SR100	1
8231	Vane, Drive — SR100	1
8263	Cap, Trip Lever — SR100	1
8265	Gasket, Trip Lever Cap — SR100	1
8270	Weight, Drive Arm — SR100	1
8272	Gasket, Shift Lever Cap — SR100	1
8283	Spring, Trip — SR100	1
8297	Shaft, Drive Arm — SR100	1
8311	Screw, #8-32 x .375" Self Tapping Pan Head	2
8323-004	Ring, Retaining, -31 Basic External	1
8323-017	Ring, Retaining, -66 Basic External	1
8327-001	Spacer, Drive Arm to Counterweight — SR100	1
8409	Washer, Trip Roller — SR100	1
8417	Stop, Trip Spring — SR100	1
8502	Bracket, Hose — NV100	1
8904	Washer, .25" Regular Spring Lock	1
9039	Handle Assembly, Flex	2
10067-001	Cap Assembly, Arm Bearing — SR100	2
10070-001	Cap Assembly, Shift Lever — SR100	1

WARRANTY AND DISCLAIMER

Nelson Big Gun sprinklers are warranted for one year from date of original sale to be free of defective materials and workmanship when used within the working specifications for which the product was designed and under normal use and service. The manufacturer assumes no responsibility for installation, is limited solely to replacement or repair of defective parts, and the manufacturer will not be liable for any crop or other consequential damages resulting from any defects or breach of warranty. THIS WARRANTY IS EXPRESSLY IN LIEU OF ALL OTHER WARRANTIES, EXPRESS OR IMPLIED, INCLUDING THE WARRANTIES OF MERCHANTABILITY AND FITNESS FOR PARTICULAR PURPOSES AND OF ALL OTHER OBLIGATIONS OR LIABILITIES OF MANUFACTURER. No agent, employee or representative of the manufacturer has authority to waive, alter or add to the provision of the warranty, nor to make any representations or warranty not contained herein.