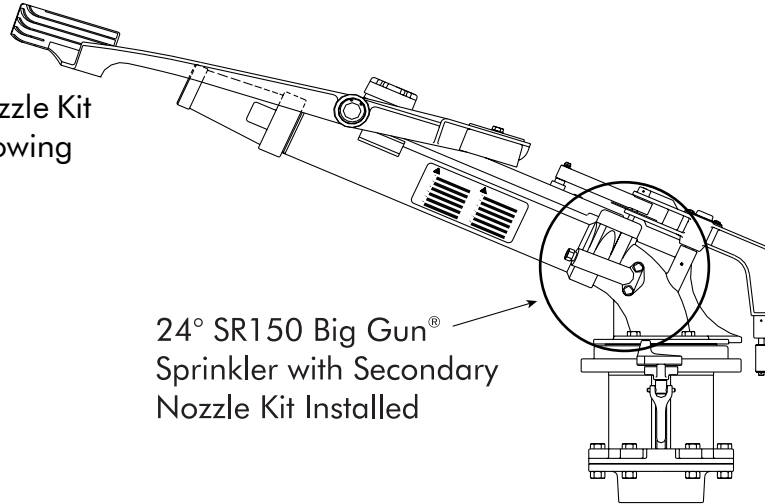


innovation in irrigation™

**NELSON****SR100/150 BIG GUN®****INSTALLATION INSTRUCTIONS FOR #9724 SECONDARY NOZZLE KIT**

#9724 Secondary Nozzle Kit  
will work with the following  
Big Gun® Sprinklers:

21° SR100  
24° SR100  
43° SR100  
21° SR150  
24° SR150  
43° SR150  
SRA150

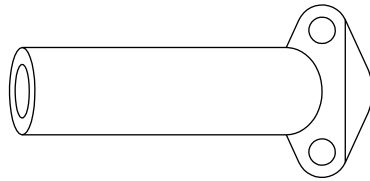


24° SR150 Big Gun®  
Sprinkler with Secondary  
Nozzle Kit Installed

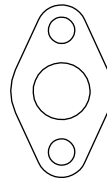
Parts required for the secondary nozzle on the SR100 and SR150 are enclosed in this kit. The purpose of a secondary nozzle is to add additional water near the Big Gun sprinkler. To make the conversion, the #9619 plate is unbolted from the gun elbow and the new secondary nozzle kit is bolted on. See the reverse side for installation instructions. The #9724 secondary nozzle kit includes the following parts:

**#9724**

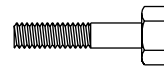
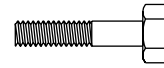
3RN Nozzle  
7/32" &  
5/16" size



#8497 Secondary Elbow



#8511  
Gasket

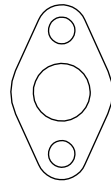
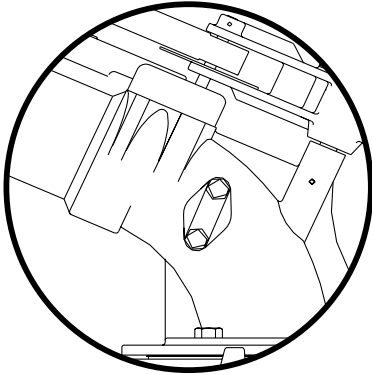


#6059 Bolt  
.25-20 x 1.25" Length

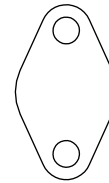
**WARRANTY AND DISCLAIMER**

Nelson Big Gun® Sprinklers are warranted for one year from date of original sale to be free of defective materials and workmanship when used within the working specifications for which the products were designed and under normal use and service. The manufacturer assumes no responsibility for installation, removal or unauthorized repair of defective parts. The manufacturer's liability under this warranty is limited solely to replacement or repair of defective parts and the manufacturer will not be liable for any crop or other consequential damages resulting from defects or breach of warranty. THIS WARRANTY IS EXPRESSLY IN LIEU OF ALL OTHER WARRANTIES, EXPRESS OR IMPLIED, INCLUDING THE WARRANTIES OF MERCHANTABILITY AND FITNESS FOR PARTICULAR PURPOSES AND OF ALL OTHER OBLIGATIONS OR LIABILITIES OF MANUFACTURER. No agent, employee or representative of the manufacturer has authority to waive, alter or add to the provisions of this warranty, nor to make any representations or warranty not contained herein.

## 1. REMOVE COVER PLATE



#8511 Gasket



#9619 Cover Plate

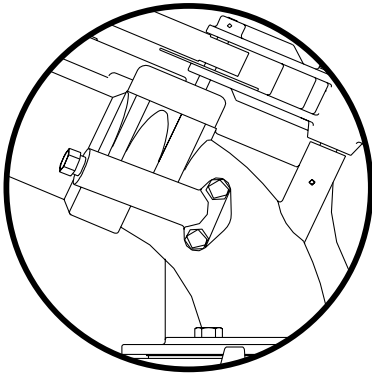


#8665 Bolt

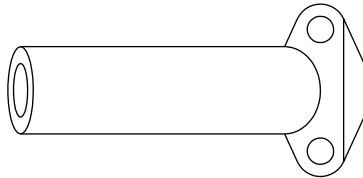
**CAUTION!!! DO NOT OVER TIGHTEN BOLTS. CASTING THREADS WILL STRIP!**

## 2. INSTALL SECONDARY NOZZLE

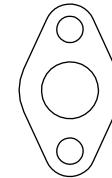
Carefully Install #8497 Secondary Elbow to elbow casting. Use Gasket and two #6059 Bolts. Soak the gasket in water for 5 minutes prior to installation. **!!!CAUTION!!! DO NOT OVER TIGHTEN BOLTS.** Threads in elbow casting will strip out. Install nozzle of choice in end of Secondary Elbow.



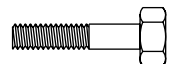
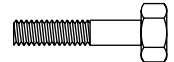
3RN Nozzle



#8497 Secondary Elbow



#8511 Gasket



#6059 Bolt  
.25-20 x 1.25" Length

The secondary nozzle should distribute approximately ten percent of the primary nozzle flow rate. The typical nozzle to use for the SR100 Big Gun is the 7/32". The typical nozzle to use for the SR150 Big Gun is the 5/16". Both nozzle sizes are included in this kit, so you will only need to use the appropriate one. Discard the extra nozzle. The following profile shows the generalized water distribution result of adding a secondary nozzle to an SR100 Big Gun.

Application Note: The use of the larger 5/16" nozzle is not recommended on the SR100 Big Gun. Excessive water and a reactionary drive problem may result. Since a reactionary drive problem will make the Big Gun drive at a different speed in one direction than the other, a stall of rotation in the clockwise direction is likely to occur. On the other hand, use of the 7/32" nozzle, even though it is smaller than ordinarily used, will not cause a reactionary drive problem on the SR150 Big Gun and could be desirable in some cases.

